

# PARTS LIST

## CONTENTS

- USING PW BOARD & REMOTE CONTROL UNIT ..... 21
- EXPLODED VIEW PARTS LIST ..... 22
- EXPLODED VIEW ..... 23
- PRINTED WIRING BOARD PARTS LIST

### [ AV28BH7ENS/ENB ]

- MAIN PW BOARD ASS'Y ..... 24
- MULTISOUND PW BOARD ASS'Y ..... 27
- FEATURE BOX PW BOARD ASS'Y ..... 29
- CRT SOCKET PW BOARD ASS'Y ..... 30
- FRONT CONTROL PW BOARD ASS'Y ..... 31
- FRONT AV + HEADPHONE JACK PW BOARD ASS'Y ..... 31

### [ AV28BH7EPS/EPB ]

- MAIN PW BOARD ASS'Y ..... 32

### [ AV28BH7EES/EEB ]

- MAIN PW BOARD ASS'Y ..... 36

- PACKING / PACKING PARTS LIST ..... 40

## USING PW BOARD & REMOTE CONTROL UNIT

| Model<br>PWB ASS'Y               | AV28BH7ENS<br>AV28BH7ENB | AV28BH7EPS<br>AV28BH7EPB | AV28BH7EES<br>AV28BH7EEB |
|----------------------------------|--------------------------|--------------------------|--------------------------|
| MAIN PWB                         | VE-20084580              | VE-20084599              | VE-20084594              |
| MULTISOUND PWB                   | VE-30017302              | ←                        | ←                        |
| FEATURE BOX PWB                  | VE-30013755              | ←                        | ←                        |
| CRT SOCKET PWB                   | VE-30017303              | ←                        | ←                        |
| FRONT CONTROL PWB                | VE-30017014              | ←                        | ←                        |
| FRONT AV + HEADPHONE<br>JACK PWB | VE-30016761              | ←                        | ←                        |
| REMOTE CONTROL UNIT              | VE-30015781<br>(RM-C85)  | ←                        | ←                        |

AV28BH7ENS / AV28BH7ENB  
 AV28BH7EPS / AV28BH7EPB  
 AV28BH7EES / AV28BH7EEB

## EXPLODED VIEW PARTS LIST

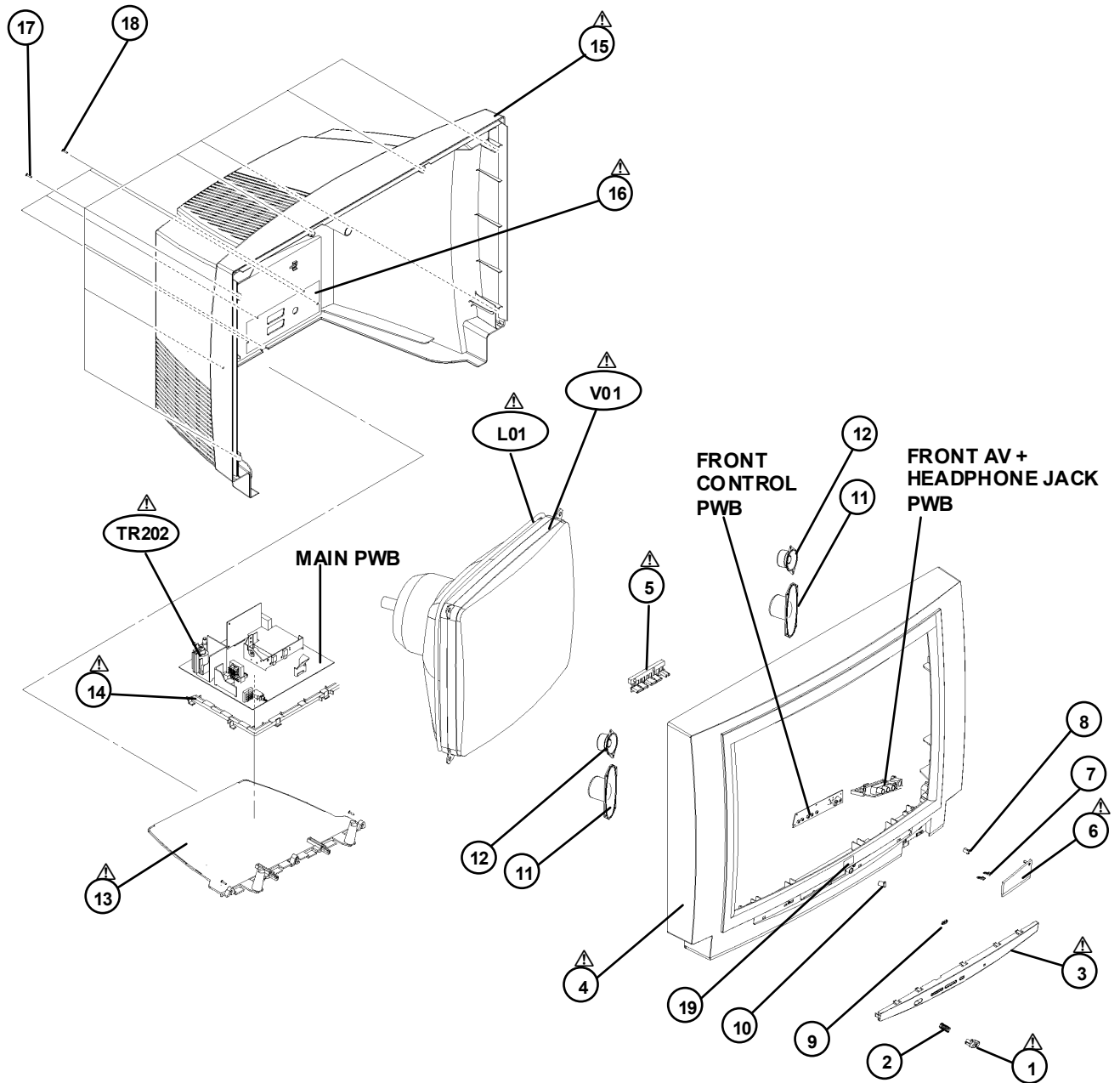
[ SILVER model : AV28BH7ENS, AV28BH7EES, AV28BH7EPS ]

| △ Ref.No. | Part No.    | Part Name                 | Description |
|-----------|-------------|---------------------------|-------------|
| △ V01     | VE-30002754 | PICTURE TUBE (ITC)        |             |
| △ L01     | VE-30002728 | DEG.COIL & EARTH          |             |
| △ TR202   | VE-30016922 | FBT TRF (within MAIN PWB) |             |
| △ 1       | VE-20083491 | BUTTON ON/OFF             |             |
| △ 2       | VE-35004544 | SPRING                    |             |
| △ 3       | VE-20069017 | FRONT PANEL (LENS)        |             |
| △ 4       | VE-20086394 | FRONT CABINET             |             |
| △ 5       | VE-20083490 | BUTTON ASSY               |             |
| △ 6       | VE-20069219 | FRONT AV DOOR             |             |
| 7         | VE-20003605 | PIN (FRONT AV DOOR) (X2)  |             |
| 8         | VE-40000026 | EJECTOR                   |             |
| 9         | VE-20078776 | LENS LED                  |             |
| 10        | VE-20004339 | LENS PRE-AMP              |             |
| 11        | VE-30001946 | SPEAKER (57x160mm) (X2)   |             |
| 12        | VE-30001947 | TWEETER (CLOSED) (X2)     |             |
| △ 13      | VE-20078582 | BASE                      |             |
| △ 14      | VE-20004005 | SHASSIS FRAME             |             |
| △ 15      | VE-20084616 | BACK COVER                |             |
| △ 16      | VE-20087523 | BACK DOOR                 |             |
| 17        | VE-35000216 | SCREW (X8)                |             |
| 18        | VE-35000214 | SCREW (X4)                |             |
| 19        | VE-40009154 | LOGO JVC                  |             |

[ BLACK model : AV28BH7ENB, AV28BH7EEB, AV28BH7EPB ]

| △ Ref.No. | Part No.    | Part Name                 | Description |
|-----------|-------------|---------------------------|-------------|
| △ V01     | VE-30002754 | PICTURE TUBE (ITC)        |             |
| △ L01     | VE-30002728 | DEG.COIL & EARTH          |             |
| △ TR202   | VE-30016922 | FBT TRF (within MAIN PWB) |             |
| △ 1       | VE-20069016 | BUTTON ON/OFF             |             |
| △ 2       | VE-35004544 | SPRING                    |             |
| △ 3       | VE-20069218 | FRONT PANEL (LENS)        |             |
| △ 4       | VE-20086395 | FRONT CABINET             |             |
| △ 5       | VE-20081484 | BUTTON ASSY               |             |
| △ 6       | VE-20086314 | FRONT AV DOOR             |             |
| 7         | VE-20003605 | PIN (FRONT AV DOOR) (X2)  |             |
| 8         | VE-40000026 | EJECTOR                   |             |
| 9         | VE-20078776 | LENS LED                  |             |
| 10        | VE-20004339 | LENS PRE-AMP              |             |
| 11        | VE-30001946 | SPEAKER (57x160mm) (X2)   |             |
| 12        | VE-30001947 | TWEETER (CLOSED) (X2)     |             |
| △ 13      | VE-20081578 | BASE                      |             |
| △ 14      | VE-20040575 | SHASSIS FRAME             |             |
| △ 15      | VE-20069018 | BACK COVER                |             |
| △ 16      | VE-20040684 | BACK DOOR                 |             |
| 17        | VE-35000216 | SCREW (X8)                |             |
| 18        | VE-35000214 | SCREW (X4)                |             |
| 19        | VE-40009152 | LOGO JVC                  |             |

# EXPLODED VIEW



## PRINTED WIRING BOARD PARTS LIST

[ AV28BH7ENS / AV28BH7ENB ]

## MAIN P.W. BOARD ASS'Y (VE-20084580)

| △ Symbol No.    | Part No.    | Part Name | Description   |
|-----------------|-------------|-----------|---------------|
| <b>RESISTOR</b> |             |           |               |
| R101            | VE-30000668 | SMD RES.  | 1/10W 33K J   |
| R102            | VE-30007782 | MF RES.   | 1/4W 3.9M F   |
| R103            | VE-30000855 | MF RES.   | 1/4W 1M F     |
| R104            | VE-30000668 | SMD RES.  | 1/10W 33K J   |
| R105            | VE-30000452 | CF RES.   | 1/4W 10R J    |
| R106            | VE-30000664 | SMD RES.  | 1/10W 3.3K J  |
| R107            | VE-30007019 | SMD RES.  | 1/10W 10K F   |
| R108            | VE-30007784 | MO RES.   | 5W 33K J      |
| R109            | VE-30001270 | PTC       | 9 OHM         |
| R116            | VE-30001171 | MO RES.   | 2W 4.7K J     |
| R117            | VE-30001257 | MG RES.   | 1/2W 4.7M J   |
| R118            | VE-30009036 | FUSE RES. | 1/2W 0.1R J   |
| R119            | VE-30009036 | FUSE RES. | 1/2W 0.1R J   |
| R120            | VE-30000814 | SMD RES.  | 1/10W 820R J  |
| R122            | VE-30000469 | SMD RES.  | 1/10W 1K J    |
| R123            | VE-30000469 | SMD RES.  | 1/10W 1K J    |
| R124            | VE-30000480 | SMD RES.  | 1/10W 100K J  |
| R125            | VE-30000927 | MF RES.   | 1/4W 220K J   |
| R126            | VE-30000664 | SMD RES.  | 1/10W 3.3K J  |
| R127            | VE-30000469 | SMD RES.  | 1/10W 1K J    |
| R128            | VE-30000536 | CF RES.   | 1/4W 150K J   |
| R129            | VE-30007019 | SMD RES.  | 1/10W 10K F   |
| R130            | VE-30000721 | SMD RES.  | 1/10W 4.7K J  |
| R134            | VE-30000469 | SMD RES.  | 1/10W 1K J    |
| R135            | VE-30007790 | SMD RES.  | 1/10W 4.3K F  |
| R136            | VE-30000774 | SMD RES.  | 1/10W 680R J  |
| R137            | VE-30007021 | SMD RES.  | 1/10W 1K F    |
| R138            | VE-30007786 | SMD RES.  | 1/10W 2.55K F |
| R139            | VE-30000774 | SMD RES.  | 1/10W 680R J  |
| R140            | VE-30000459 | CF RES.   | 1/4W 100R J   |
| R141            | VE-30000475 | SMD RES.  | 1/10W 10K J   |
| R142            | VE-30000475 | SMD RES.  | 1/10W 10K J   |
| R143            | VE-30007021 | SMD RES.  | 1/10W 1K F    |
| R144            | VE-30007788 | SMD RES.  | 1/10W 2.7K F  |
| R145            | VE-30000732 | SMD RES.  | 1/10W 470K J  |
| R146            | VE-30000469 | SMD RES.  | 1/10W 1K J    |
| R148            | VE-30014023 | FUSE RES. | 1/2W 0.1R J   |
| R149            | VE-30007204 | MF RES.   | 1/2W 1.5M F   |
| R150            | VE-30007783 | FUSE RES. | 1/4W 2.2R J   |
| R151            | VE-30014023 | FUSE RES. | 1/2W 0.1R J   |
| R152            | VE-30000659 | SMD RES.  | 1/10W 330R J  |
| R153            | VE-30012649 | SMD RES.  | 1/10W 150R J  |
| R154            | VE-30012984 | SMD RES.  | 1/10W 91R J   |
| R155            | VE-30000712 | CF RES.   | 1/4W 470R J   |
| R156            | VE-30001089 | MO RES.   | 2W 1R J       |
| R157            | VE-30000534 | SMD RES.  | 1/10W 15K J   |
| R158            | VE-30000475 | SMD RES.  | 1/10W 10K J   |
| R159            | VE-30000480 | SMD RES.  | 1/10W 100K J  |
| R160            | VE-30006923 | SMD RES.  | 1/10W 4.3K J  |
| R202            | VE-30007779 | MO RES.   | 5W 47R J      |
| R203            | VE-30000534 | SMD RES.  | 1/10W 15K J   |
| R205            | VE-30001004 | MF RES.   | 1/2W 0.56R J  |
| R206            | VE-30001079 | MO RES.   | 1W 100R J     |
| R210            | VE-30000583 | CF RES.   | 1/4W 220R J   |
| R211            | VE-30000721 | SMD RES.  | 1/10W 4.7K J  |
| R212            | VE-30000593 | SMD RES.  | 1/10W 2.2K J  |
| R213            | VE-30000593 | SMD RES.  | 1/10W 2.2K J  |
| R214            | VE-30000593 | SMD RES.  | 1/10W 2.2K J  |
| R215            | VE-30000721 | SMD RES.  | 1/10W 4.7K J  |
| R216            | VE-30000631 | SMD RES.  | 1/10W 2.7K J  |
| R217            | VE-30000593 | SMD RES.  | 1/10W 2.2K J  |
| R220            | VE-30000590 | CF RES.   | 1/4W 2.2K J   |
| R225            | VE-30001086 | MO RES.   | 2W 10K J      |
| R226            | VE-30001168 | MO RES.   | 2W 470R J     |
| R227            | VE-30000469 | SMD RES.  | 1/10W 1K J    |
| R228            | VE-30000475 | SMD RES.  | 1/10W 10K J   |
| R229            | VE-30000727 | SMD RES.  | 1/10W 47K J   |
| R230            | VE-30000902 | MF RES.   | 1/4W 1.8K F   |
| R231            | VE-30001229 | FUSE RES. | 1W 2.2R J     |
| R232            | VE-30000477 | CF RES.   | 1/4W 100K J   |
| R233            | VE-30001244 | FUSE RES. | 0.47R 1/2W J  |
| R234            | VE-30009036 | FUSE RES. | 1/2W 0.1R J   |
| R235            | VE-30000668 | SMD RES.  | 1/10W 33K J   |
| R236            | VE-30000718 | CF RES.   | 1/4W 4.7K J   |
| R237            | VE-30001244 | FUSE RES. | 0.47R 1/2W J  |
| R238            | VE-30000729 | CF RES.   | 1/4W 470K J   |
| R239            | VE-30001089 | MO RES.   | 2W 1R J       |
| R240            | VE-30000469 | SMD RES.  | 1/10W 1K J    |
| R241            | VE-30000818 | SMD RES.  | 1/10W 8.2K J  |
| R242            | VE-30000784 | CF RES.   | 1/4W 680K J   |

| △ Symbol No.    | Part No.    | Part Name | Description  |
|-----------------|-------------|-----------|--------------|
| <b>RESISTOR</b> |             |           |              |
| R245            | VE-30000466 | CF RES.   | 1/4W 1K J    |
| R246            | VE-30000752 | CF RES.   | 1/4W 56K J   |
| R250            | VE-30000477 | CF RES.   | 1/4W 100K J  |
| R251            | VE-30000477 | CF RES.   | 1/4W 100K J  |
| R252            | VE-30007789 | SMD RES.  | 1/10W 27K F  |
| R254            | VE-30000636 | SMD RES.  | 1/10W 27K J  |
| R255            | VE-30001134 | MO RES.   | 2W 2.2R J    |
| R256            | VE-30001100 | MO RES.   | 1W 150R J    |
| R257            | VE-30001173 | MO RES.   | 1W 0.47R J   |
| R260            | VE-30000778 | SMD RES.  | 1/10W 6.8K J |
| R261            | VE-30000778 | SMD RES.  | 1/10W 6.8K J |
| R262            | VE-30001237 | FUSE RES. | 1/2W 3.3R J  |
| R264            | VE-30001077 | MO RES.   | 2W 10R J     |
| R270            | VE-30000541 | CF RES.   | 1/4W 1.5M J  |
| R271            | VE-30000744 | CF RES.   | 1/4W 560R J  |
| R272            | VE-30000475 | SMD RES.  | 1/10W 10K J  |
| R280            | VE-30000480 | SMD RES.  | 1/10W 100K J |
| R281            | VE-30000480 | SMD RES.  | 1/10W 100K J |
| R318            | VE-30000469 | SMD RES.  | 1/10W 1K J   |
| R322            | VE-30000594 | CF RES.   | 1/4W 22K J   |
| R323            | VE-30000459 | CF RES.   | 1/4W 100R J  |
| R324            | VE-30000464 | SMD RES.  | 1/10W 100R J |
| R327            | VE-30000464 | SMD RES.  | 1/10W 100R J |
| R360            | VE-30000659 | SMD RES.  | 1/10W 330R J |
| R361            | VE-30000659 | SMD RES.  | 1/10W 330R J |
| R362            | VE-30000659 | SMD RES.  | 1/10W 330R J |
| R363            | VE-30000659 | SMD RES.  | 1/10W 330R J |
| R364            | VE-30000659 | SMD RES.  | 1/10W 330R J |
| R365            | VE-30000659 | SMD RES.  | 1/10W 330R J |
| R366            | VE-30000659 | SMD RES.  | 1/10W 330R J |
| R367            | VE-30000659 | SMD RES.  | 1/10W 330R J |
| R368            | VE-30000659 | SMD RES.  | 1/10W 330R J |
| R369            | VE-30000659 | SMD RES.  | 1/10W 330R J |
| R370            | VE-30000659 | SMD RES.  | 1/10W 330R J |
| R371            | VE-30000659 | SMD RES.  | 1/10W 330R J |
| R372            | VE-30000659 | SMD RES.  | 1/10W 330R J |
| R373            | VE-30000659 | SMD RES.  | 1/10W 330R J |
| R374            | VE-30000659 | SMD RES.  | 1/10W 330R J |
| R375            | VE-30000659 | SMD RES.  | 1/10W 330R J |
| R376            | VE-30000659 | SMD RES.  | 1/10W 330R J |
| R378            | VE-30000659 | SMD RES.  | 1/10W 330R J |
| R379            | VE-30000659 | SMD RES.  | 1/10W 330R J |
| R380            | VE-30000659 | SMD RES.  | 1/10W 330R J |
| R381            | VE-30000659 | SMD RES.  | 1/10W 330R J |
| R382            | VE-30000659 | SMD RES.  | 1/10W 330R J |
| R383            | VE-30000659 | SMD RES.  | 1/10W 330R J |
| R384            | VE-30000659 | SMD RES.  | 1/10W 330R J |
| R385            | VE-30000659 | SMD RES.  | 1/10W 330R J |
| R397            | VE-30000659 | SMD RES.  | 1/10W 330R J |
| R398            | VE-30000659 | SMD RES.  | 1/10W 330R J |
| R411            | VE-30000747 | SMD RES.  | 1/10W 560R J |
| R412            | VE-30000721 | SMD RES.  | 1/10W 4.7K J |
| R413            | VE-30000475 | SMD RES.  | 1/10W 10K J  |
| R414            | VE-30000469 | SMD RES.  | 1/10W 1K J   |
| R415            | VE-30000517 | SMD RES.  | 1/10W 15R J  |
| R416            | VE-30000717 | SMD RES.  | 1/10W 470R J |
| R421            | VE-30000563 | SMD RES.  | 1/10W 1.8K J |
| R422            | VE-30000464 | SMD RES.  | 1/10W 100R J |
| R424            | VE-30007021 | SMD RES.  | 1/10W 1K F   |
| R425            | VE-30000797 | SMD RES.  | 1/10W 75R J  |
| R428            | VE-30000475 | SMD RES.  | 1/10W 10K J  |
| R429            | VE-30000475 | SMD RES.  | 1/10W 10K J  |
| R436            | VE-30000735 | SMD RES.  | 1/10W 4.7R J |
| R440            | VE-30000614 | SMD RES.  | 1/10W 2.4K J |
| R441            | VE-30000475 | SMD RES.  | 1/10W 10K J  |
| R445            | VE-30000814 | SMD RES.  | 1/10W 820R J |
| R475            | VE-30000524 | SMD RES.  | 1/10W 150R J |
| R480            | VE-30000718 | CF RES.   | 1/4W 4.7K J  |
| R490            | VE-30000466 | CF RES.   | 1/4W 1K J    |
| R492            | VE-30000503 | SMD RES.  | 1/10W 12K J  |
| R506            | VE-30012695 | SMD RES.  | 1/10W 470R J |
| R509            | VE-30000797 | SMD RES.  | 1/10W 75R J  |
| R510            | VE-30007021 | SMD RES.  | 1/10W 1K F   |
| R511            | VE-30000464 | SMD RES.  | 1/10W 100R J |
| R512            | VE-30000464 | SMD RES.  | 1/10W 100R J |
| R513            | VE-30000457 | SMD RES.  | 1/10W 10R J  |
| R518            | VE-30000735 | SMD RES.  | 1/10W 4.7R J |
| R801            | VE-30000718 | CF RES.   | 1/4W 4.7K J  |
| R802            | VE-30000718 | CF RES.   | 1/4W 4.7K J  |
| R803            | VE-30000628 | CF RES.   | 1/4W 2.7K J  |

## [ AV28BH7ENS / AV28BH7ENB ]

| △ Symbol No.    | Part No.    | Part Name | Description  |
|-----------------|-------------|-----------|--------------|
| <b>RESISTOR</b> |             |           |              |
| R804            | VE-30000475 | SMD RES.  | 1/10W 10K J  |
| R805            | VE-30000534 | SMD RES.  | 1/10W 15K J  |
| R806            | VE-30000531 | CF RES.   | 1/4W 15K J   |
| R807            | VE-30000567 | SMD RES.  | 1/10W 18K J  |
| R808            | VE-30000734 | CF RES.   | 1/4W 4.7K J  |
| R809            | VE-30000717 | SMD RES.  | 1/10W 470R J |
| R810            | VE-30000564 | CF RES.   | 1/4W 18K J   |
| R811            | VE-30000717 | SMD RES.  | 1/10W 470R J |
| R812            | VE-30000734 | CF RES.   | 1/4W 4.7K J  |
| R813            | VE-30000475 | SMD RES.  | 1/10W 10K J  |
| R819            | VE-30000734 | CF RES.   | 1/4W 4.7K J  |
| R820            | VE-30000734 | CF RES.   | 1/4W 4.7K J  |
| R900            | VE-30012641 | SMD RES.  | 1/16W 10K J  |
| R901            | VE-30012641 | SMD RES.  | 1/16W 10K J  |
| R902            | VE-30012641 | SMD RES.  | 1/16W 10K J  |
| R903            | VE-30000718 | CF RES.   | 1/4W 4.7K J  |
| R904            | VE-30000718 | CF RES.   | 1/4W 4.7K J  |
| R905            | VE-30000723 | CF RES.   | 1/4W 47K J   |
| R906            | VE-30012696 | SMD RES.  | 1/16W 47K J  |
| R907            | VE-30012679 | SMD RES.  | 1/16W 3.9K J |
| R908            | VE-30012679 | SMD RES.  | 1/16W 3.9K J |
| R909            | VE-30000531 | CF RES.   | 1/4W 15K J   |
| R910            | VE-30000531 | CF RES.   | 1/4W 15K J   |
| R911            | VE-30012641 | SMD RES.  | 1/16W 10K J  |
| R912            | VE-30000471 | CF RES.   | 1/4W 10K J   |
| R913            | VE-30012641 | SMD RES.  | 1/16W 10K J  |
| R914            | VE-30000471 | CF RES.   | 1/4W 10K J   |
| R915            | VE-30000471 | CF RES.   | 1/4W 10K J   |
| R916            | VE-30012695 | SMD RES.  | 1/16W 470R J |
| R917            | VE-30012987 | SMD RES.  | 1/16W 56R J  |
| R918            | VE-30012692 | SMD RES.  | 1/16W 4.7K J |
| R919            | VE-30012657 | SMD RES.  | 1/16W 1K J   |
| R920            | VE-30012657 | SMD RES.  | 1/16W 1K J   |
| R921            | VE-30012657 | SMD RES.  | 1/16W 1K J   |
| R922            | VE-30012657 | SMD RES.  | 1/16W 1K J   |
| R923            | VE-30012657 | SMD RES.  | 1/16W 1K J   |
| R924            | VE-30012696 | SMD RES.  | 1/16W 47K J  |
| R925            | VE-30012696 | SMD RES.  | 1/16W 47K J  |
| R926            | VE-30012696 | SMD RES.  | 1/16W 47K J  |
| R927            | VE-30012696 | SMD RES.  | 1/16W 47K J  |
| R928            | VE-30012510 | SMD RES.  | 1/16W 100R J |
| R929            | VE-30012510 | SMD RES.  | 1/16W 100R J |
| R930            | VE-30012641 | SMD RES.  | 1/16W 10K J  |
| R931            | VE-30012641 | SMD RES.  | 1/16W 10K J  |
| R932            | VE-30012641 | SMD RES.  | 1/16W 10K J  |
| R933            | VE-30000718 | CF RES.   | 1/4W 4.7K J  |
| R934            | VE-30012692 | SMD RES.  | 1/16W 4.7K J |
| R935            | VE-30012662 | SMD RES.  | 1/16W 2.7K J |
| R936            | VE-30000718 | CF RES.   | 1/4W 4.7K J  |
| R937            | VE-30000459 | CF RES.   | 1/4W 100R J  |
| R938            | VE-30012509 | SMD RES.  | 1/16W 100K J |
| R939            | VE-30012692 | SMD RES.  | 1/16W 4.7K J |
| R940            | VE-30000500 | CF RES.   | 1/4W 12K J   |
| R941            | VE-30000588 | SMD RES.  | 1/10W 220R J |
| R942            | VE-30000588 | SMD RES.  | 1/10W 220R J |
| R943            | VE-30000471 | CF RES.   | 1/4W 10K J   |
| R944            | VE-30012641 | SMD RES.  | 1/16W 10K J  |
| R945            | VE-30000471 | CF RES.   | 1/4W 10K J   |
| R946            | VE-30012657 | SMD RES.  | 1/16W 1K J   |
| R950            | VE-30012657 | SMD RES.  | 1/16W 1K J   |
| R951            | VE-30012657 | SMD RES.  | 1/16W 1K J   |
| R952            | VE-30012657 | SMD RES.  | 1/16W 1K J   |
| R953            | VE-30000466 | CF RES.   | 1/4W 1K J    |
| R955            | VE-30012657 | SMD RES.  | 1/16W 1K J   |
| R956            | VE-30012510 | SMD RES.  | 1/16W 100R J |
| R957            | VE-30012655 | SMD RES.  | 1/16W 180R J |
| R958            | VE-30014022 | SMD RES.  | 1/16W 47R J  |
| R959            | VE-30000466 | CF RES.   | 1/4W 1K J    |
| R960            | VE-30000471 | CF RES.   | 1/4W 10K J   |
| R961            | VE-30000718 | CF RES.   | 1/4W 4.7K J  |
| R964            | VE-30012641 | SMD RES.  | 1/16W 10K J  |
| R965            | VE-30012657 | SMD RES.  | 1/16W 1K J   |
| R966            | VE-30012641 | SMD RES.  | 1/16W 10K J  |

**CAPACITOR**

|      |             |          |             |
|------|-------------|----------|-------------|
| C100 | VE-30000098 | MKT CAP. | 3.3NF 63V J |
| C101 | VE-30000371 | EL CAP.  | 22UF 50V M  |
| C102 | VE-30000294 | SMD CAP. | 100NF 50V K |
| C103 | VE-30000294 | SMD CAP. | 100NF 50V K |
| C104 | VE-30012323 | MKT CAP. | 1NF 100V J  |
| C105 | VE-30000284 | SMD CAP. | 1NF 50V K R |
| C106 | VE-30000332 | SMD CAP. | 4.7NF 50V K |

| △ Symbol No.     | Part No.    | Part Name | Description      |
|------------------|-------------|-----------|------------------|
| <b>CAPACITOR</b> |             |           |                  |
| C107             | VE-30000263 | SMD CAP.  | 56PF 50V J       |
| C108             | VE-30000123 | PP CAP.   | 33NF 630V K      |
| C109             | VE-30000159 | MKT CAP.  | 4.7NF 1.6KV J    |
| C110             | VE-30009208 | C CAP.    | 470PF 1KV K      |
| C111             | VE-30000131 | MKT CAP.  | 100NF 250V J     |
| △ C112           | VE-30000094 | MKT CAP.  | 220NF AC275V M   |
| C114             | VE-30000353 | EL CAP.   | 100UF 25V M      |
| △ C115           | VE-30007858 | MKT CAP.  | 470NF AC275V M   |
| △ C118           | VE-30007755 | MKT CAP.  | 680NF AC275V M   |
| C119             | VE-30007754 | MKT CAP.  | 1UF 400V         |
| C120             | VE-30007753 | MKT CAP.  | 1NF 1KV          |
| C121             | VE-30013690 | EL CAP.   | 220UF 450V M     |
| △ C122           | VE-30000447 | C CAP.    | 4.7NF 4KV M E    |
| C124             | VE-30000315 | SMD CAP.  | 220NF 25V Z      |
| C125             | VE-30000315 | SMD CAP.  | 220NF 25V Z      |
| C130             | VE-30007708 | C CAP.    | 1NF 1KV          |
| C131             | VE-30006909 | EL CAP.   | 100UF M 250V     |
| C132             | VE-30007750 | EL CAP.   | 470UF 35V        |
| C133             | VE-30000409 | EL CAP.   | 470UF 25V M      |
| C134             | VE-30007750 | EL CAP.   | 470UF 35V        |
| C135             | VE-30007748 | EL CAP.   | 1000UF 25V M     |
| C136             | VE-30007748 | EL CAP.   | 1000UF 35V M     |
| C137             | VE-30000284 | SMD CAP.  | 1NF 50V K R      |
| C138             | VE-30000224 | SMD CAP.  | 220PF 25V J      |
| C139             | VE-30000284 | SMD CAP.  | 1NF 50V K R      |
| C140             | VE-30000360 | EL CAP.   | 1000UF 25V M     |
| C141             | VE-30000352 | EL CAP.   | 100UF 16V M      |
| C142             | VE-30000294 | SMD CAP.  | 100NF 50V K      |
| C143             | VE-30000294 | SMD CAP.  | 100NF 50V K      |
| C144             | VE-30000352 | EL CAP.   | 100UF 16V M      |
| C145             | VE-30000309 | SMD CAP.  | 2.2NF 50V K R    |
| C146             | VE-30000359 | EL CAP.   | 1000UF 16V M     |
| C147             | VE-30000359 | EL CAP.   | 1000UF 16V M     |
| C148             | VE-30000294 | SMD CAP.  | 100NF 50V K      |
| C149             | VE-30000294 | SMD CAP.  | 100NF 50V K      |
| C150             | VE-30000352 | EL CAP.   | 100UF 16V M      |
| C151             | VE-30000284 | SMD CAP.  | 1NF 50V K R      |
| C160             | VE-30007081 | EL CAP.   | 4.7UF 50V M      |
| C161             | VE-30007308 | C CAP.    | 220PF 1KV K      |
| C162             | VE-30007308 | C CAP.    | 220PF 1KV K      |
| C163             | VE-30009208 | C CAP.    | 470PF 1KV K      |
| C165             | VE-30016654 | SMD CAP.  | 100NF 16V K R    |
| C166             | VE-30000400 | EL CAP.   | 47UF 50V M       |
| C167             | VE-30009208 | C CAP.    | 470PF 1KV K      |
| C168             | VE-30000294 | SMD CAP.  | 100NF 50V K      |
| C170             | VE-30000352 | EL CAP.   | 100UF 16V M      |
| C171             | VE-30000352 | EL CAP.   | 100UF 16V M      |
| C172             | VE-30016654 | SMD CAP.  | 100NF 16V K R    |
| C173             | VE-30000315 | SMD CAP.  | 220NF 25V Z      |
| C201             | VE-30000360 | EL CAP.   | 1000UF 25V M     |
| C202             | VE-30000106 | MKT CAP.  | 47NF 100V J      |
| C203             | VE-30000099 | MKT CAP.  | 33NF 63V J       |
| C204             | VE-30000345 | EL CAP.   | 10UF 50V M       |
| C206             | VE-30000315 | SMD CAP.  | 220NF 25V Z      |
| C207             | VE-30000362 | EL CAP.   | 1UF 50V M        |
| C208             | VE-30000415 | EL CAP.   | 4.7UF 250V M     |
| C209             | VE-30000224 | SMD CAP.  | 220PF 50V J      |
| C210             | VE-30000149 | MKT CAP.  | 2.2NF 2KV 3.5%   |
| C211             | VE-30000179 | MKT CAP.  | 9.1NF 1600V 3.5% |
| C212             | VE-30000137 | MKT CAP.  | 15NF 630V J      |
| C213             | VE-30007215 | MKT CAP.  | 1.2UF 250V J     |
| C214             | VE-30000415 | EL CAP.   | 4.7UF 250V M     |
| C215             | VE-30000166 | MKT CAP.  | 560NF 250V J     |
| C216             | VE-30000415 | EL CAP.   | 4.7UF 250V M     |
| C222             | VE-30000431 | C CAP.    | 100PF 1KV M      |
| C223             | VE-30000351 | EL CAP.   | 10UF 350V M      |
| C225             | VE-30000359 | EL CAP.   | 1000UF 16V M     |
| C226             | VE-30000356 | EL CAP.   | 100UF 63V M      |
| C228             | VE-30000360 | EL CAP.   | 1000UF 25V M     |
| C232             | VE-30000225 | C CAP.    | 220PF 50V J      |
| C240             | VE-30000400 | EL CAP.   | 47UF 50V M       |
| C250             | VE-30000304 | SMD CAP.  | 1.8NF 50V K R    |
| C251             | VE-30000359 | EL CAP.   | 1000UF 16V M     |
| C252             | VE-30000289 | SMD CAP.  | 10NF 50V K R     |
| C253             | VE-30000294 | SMD CAP.  | 100NF 50V K      |
| C254             | VE-30000360 | EL CAP.   | 1000UF 25V M     |
| C255             | VE-30000294 | SMD CAP.  | 100NF 50V K      |
| C256             | VE-30000092 | MKT CAP.  | 220NF 63V J      |
| C257             | VE-30000304 | SMD CAP.  | 1.8NF 50V K R    |
| C258             | VE-30000322 | SMD CAP.  | 3.3NF 50V K      |
| C305             | VE-30000294 | SMD CAP.  | 100NF 50V K      |
| C313             | VE-30000189 | SMD CAP.  | 100PF 50V J      |
| C321             | VE-30000352 | EL CAP.   | 100UF 16V M      |
| C322             | VE-30000352 | EL CAP.   | 100UF 16V M      |

[ AV28BH7ENS / AV28BH7ENB ]

| Symbol No.       | Part No.    | Part Name | Description    |
|------------------|-------------|-----------|----------------|
| <b>CAPACITOR</b> |             |           |                |
| C324             | VE-30000294 | SMD CAP.  | 100NF 50V K    |
| C333             | VE-30000294 | SMD CAP.  | 100NF 50V K    |
| C402             | VE-30000345 | EL CAP.   | 10UF 50V M     |
| C403             | VE-30000384 | EL CAP.   | 2.2UF 50V M    |
| C404             | VE-30000284 | SMD CAP.  | 1NF 50V K R    |
| C405             | VE-30000284 | SMD CAP.  | 1NF 50V K R    |
| C406             | VE-30000224 | SMD CAP.  | 220PF 50V J    |
| C407             | VE-30000312 | SMD CAP.  | 22NF 50V K     |
| C408             | VE-30000371 | EL CAP.   | 22UF 50V M     |
| C409             | VE-30000294 | SMD CAP.  | 100NF 50V K    |
| C410             | VE-30000294 | SMD CAP.  | 100NF 50V K    |
| C411             | VE-30000109 | MKT CAP.  | 470NF 63V J    |
| C412             | VE-30000384 | EL CAP.   | 2.2UF 50V M    |
| C413             | VE-30000294 | SMD CAP.  | 100NF 50V K    |
| C414             | VE-30000294 | SMD CAP.  | 100NF 50V K    |
| C417             | VE-30000294 | SMD CAP.  | 100NF 50V K    |
| C418             | VE-30000294 | SMD CAP.  | 100NF 50V K    |
| C419             | VE-30000294 | SMD CAP.  | 100NF 50V K    |
| C427             | VE-30000294 | SMD CAP.  | 100NF 50V K    |
| C428             | VE-30000294 | SMD CAP.  | 100NF 50V K    |
| C440             | VE-30000400 | EL CAP.   | 47UF 50V M     |
| C441             | VE-30000220 | SMD CAP.  | 22PF 50V J     |
| C442             | VE-30000294 | SMD CAP.  | 100NF 50V K    |
| C443             | VE-30013411 | SMD CAP.  | 180PF 50V J    |
| C450             | VE-30000345 | EL CAP.   | 10UF 50V M     |
| C451             | VE-30000294 | SMD CAP.  | 100NF 50V K    |
| C453             | VE-30000355 | EL CAP.   | 100UF 50V M    |
| C454             | VE-30000294 | SMD CAP.  | 100NF 50V K    |
| C455             | VE-30000345 | EL CAP.   | 10UF 50V M     |
| C456             | VE-30000352 | EL CAP.   | 100UF 16V M    |
| C457             | VE-30000294 | SMD CAP.  | 100NF 50V K    |
| C468             | VE-30000294 | SMD CAP.  | 100NF 50V K    |
| C478             | VE-30000294 | SMD CAP.  | 100NF 50V K    |
| C492             | VE-30000294 | SMD CAP.  | 100NF 50V K    |
| C497             | VE-30000294 | SMD CAP.  | 100NF 50V K    |
| C498             | VE-30000294 | SMD CAP.  | 100NF 50V K    |
| C499             | VE-30000362 | EL CAP.   | 1UF 50V M      |
| C500             | VE-30000352 | EL CAP.   | 100UF 16V M    |
| C505             | VE-30000294 | SMD CAP.  | 100NF 50V K    |
| C506             | VE-30000345 | EL CAP.   | 10UF 50V M     |
| C509             | VE-30000186 | SMD CAP.  | 10PF 50V D     |
| C510             | VE-30000186 | SMD CAP.  | 10PF 50V D     |
| C511             | VE-30000341 | SMD CAP.  | 68NF 50V K     |
| C610             | VE-30000074 | MKT CAP.  | 100NF 63V J    |
| C801             | VE-30000362 | EL CAP.   | 1UF 50V M      |
| C802             | VE-30000362 | EL CAP.   | 1UF 50V M      |
| C803             | VE-30000362 | EL CAP.   | 1UF 50V M      |
| C804             | VE-30000409 | EL CAP.   | 470UF 25V M    |
| C805             | VE-30000294 | SMD CAP.  | 100NF 50V K    |
| C806             | VE-30000409 | EL CAP.   | 470UF 25V M    |
| C807             | VE-30000294 | SMD CAP.  | 100NF 50V K    |
| C808             | VE-30000074 | MKT CAP.  | 100NF 63V J    |
| C809             | VE-30000074 | MKT CAP.  | 100NF 63V J    |
| C819             | VE-30000309 | SMD CAP.  | 2.2NF 50V K R  |
| C820             | VE-30000309 | SMD CAP.  | 2.2NF 50V K R  |
| C821             | VE-30000309 | SMD CAP.  | 2.2NF 50V K R  |
| C822             | VE-30000309 | SMD CAP.  | 2.2NF 50V K R  |
| C900             | VE-30000371 | EL CAP.   | 22UF 50V M     |
| C901             | VE-30016654 | SMD CAP.  | 100NF 16V K R  |
| C902             | VE-30016654 | SMD CAP.  | 100NF 16V K R  |
| C903             | VE-30016654 | SMD CAP.  | 100NF 16V K R  |
| C904             | VE-30000074 | MKT CAP.  | 100NF 63V J    |
| C905             | VE-30000371 | EL CAP.   | 22UF 50V M     |
| C906             | VE-30016654 | SMD CAP.  | 100NF 16V K R  |
| C907             | VE-30000074 | MKT CAP.  | 100NF 63V J    |
| C908             | VE-30016654 | SMD CAP.  | 100NF 16V K R  |
| C909             | VE-30016654 | SMD CAP.  | 100NF 16V K R  |
| C910             | VE-30016654 | SMD CAP.  | 100NF 16V K R  |
| C911             | VE-30000352 | EL CAP.   | 100UF 16V M    |
| C912             | VE-30012569 | SMD CAP.  | 33PF 50V J     |
| C913             | VE-30012569 | SMD CAP.  | 33PF 50V J     |
| C914             | VE-30000371 | EL CAP.   | 22UF 50V M     |
| C915             | VE-30016654 | SMD CAP.  | 100NF 16V K R  |
| C916             | VE-30016654 | SMD CAP.  | 100NF 16V K R  |
| C917             | VE-30016654 | SMD CAP.  | 100NF 16V K R  |
| C918             | VE-30016654 | SMD CAP.  | 100NF 16V K R  |
| C919             | VE-30000375 | EL CAP.   | 220UF 16V M    |
| C920             | VE-30000384 | EL CAP.   | 2.2UF 50V M    |
| C921             | VE-30016654 | SMD CAP.  | 100NF 16V K R  |
| C926             | VE-30016654 | SMD CAP.  | 100NF 16V K R  |
| C927             | VE-30016654 | SMD CAP.  | 100NF 16V K R  |
| C930             | VE-30000345 | EL CAP.   | 10UF 50V M     |
| C931             | VE-30000257 | C CAP.    | 470PF 50V J SL |
| C932             | VE-30016654 | SMD CAP.  | 100NF 16V K R  |
| C933             | VE-30000294 | SMD CAP.  | 100NF 50V K    |

| Symbol No.    | Part No.    | Part Name             | Description    |
|---------------|-------------|-----------------------|----------------|
| <b>TRANSF</b> |             |                       |                |
| TR101         | VE-30016819 | SMPS TRF              |                |
| TR201         | VE-30006743 | HORIZONTAL DRIVER TRF |                |
| TR202         | VE-30016922 | FBT TRF               |                |
| <b>COIL</b>   |             |                       |                |
| L101          | VE-30006712 | FERRITE BEAD          |                |
| L102          | VE-30007775 | PFC COIL              | 1MH 1KHZ 2A    |
| L103          | VE-30006744 | LINE FILTER           | 16MH           |
| L104          | VE-30006744 | LINE FILTER           | 16MH           |
| L106          | VE-30006712 | FERRITE BEAD          |                |
| L107          | VE-30001960 | FERRIT BAR            |                |
| L108          | VE-30001960 | FERRIT BAR            |                |
| L109          | VE-30001960 | FERRIT BAR            |                |
| L201          | VE-30007771 | FIXED COIL            | 100UH          |
| L202          | VE-30007757 | COIL INJECTION EW     | 6MH            |
| L203          | VE-30007770 | FILTER COIL           | 1MH            |
| L204          | VE-30012271 | LINEARTY COIL         | 4.3UH          |
| L205          | VE-30007756 | BRIDGE COIL           | 150UH 32KHZ    |
| L206          | VE-30006712 | FERRITE BEAD          |                |
| L207          | VE-30006712 | FERRITE BEAD          |                |
| L304          | VE-30001992 | FIXED COIL            | 10UH Q65 K-A   |
| L401          | VE-30001986 | FIXED COIL            | 3.3UH Q65 K    |
| L403          | VE-30001979 | FIXED COIL            | 1UH Q45 M-A    |
| L405          | VE-30001987 | FIXED COIL            | 4.7UH Q70 K-A  |
| L420          | VE-30001996 | FIXED COIL            | 22UH Q40 K     |
| L421          | VE-30001992 | FIXED COIL            | 10UH Q65 K-A   |
| L422          | VE-30001994 | FIXED COIL            | 22UH J AXIAL   |
| L423          | VE-30001994 | FIXED COIL            | 22UH J AXIAL   |
| L425          | VE-30001971 | FERRITE BEAD          |                |
| L801          | VE-30002170 | COIL FTZ/RAD          |                |
| L802          | VE-30002170 | COIL FTZ/RAD          |                |
| L900          | VE-30001992 | FIXED COIL            | 10UH Q65 K-A   |
| L901          | VE-30001992 | FIXED COIL            | 10UH Q65 K-A   |
| L902          | VE-30001992 | FIXED COIL            | 10UH Q65 K-A   |
| L903          | VE-30001992 | FIXED COIL            | 10UH Q65 K-A   |
| L904          | VE-30001987 | FIXED COIL            | 4.7UH Q70 K-A  |
| L905          | VE-30001984 | FIXED COIL            | 2.2UH Q55 M-AX |
| L906          | VE-30002171 | CHOKE PEAKING COIL    | 22UH K         |
| <b>DIODE</b>  |             |                       |                |
| D101          | VE-30001285 | DIODE                 |                |
| D102          | VE-30001291 | DIODE                 |                |
| D103          | VE-30007768 | DIODE                 |                |
| D104          | VE-30007768 | DIODE                 |                |
| D105          | VE-30007768 | DIODE                 |                |
| D106          | VE-30007758 | BRIDGE DIODE          |                |
| D108          | VE-30001318 | DIODE                 |                |
| D109          | VE-30009699 | ZENER DIODE           |                |
| D110          | VE-30063054 | DIODE                 |                |
| D111          | VE-30001299 | DIODE                 |                |
| D112          | VE-30001302 | DIODE                 |                |
| D113          | VE-30001302 | DIODE                 |                |
| D114          | VE-30001302 | DIODE                 |                |
| D115          | VE-30001285 | DIODE                 |                |
| D116          | VE-30007760 | ZENER DIODE           |                |
| D117          | VE-30001285 | DIODE                 |                |
| D118          | VE-30007760 | ZENER DIODE           |                |
| D119          | VE-30001284 | DIODE                 |                |
| D120          | VE-30001291 | DIODE                 |                |
| D121          | VE-30001318 | DIODE                 |                |
| D122          | VE-30001318 | DIODE                 |                |
| D123          | VE-30001285 | DIODE                 |                |
| D126          | VE-30001284 | DIODE                 |                |
| D127          | VE-30001284 | DIODE                 |                |
| D128          | VE-30001284 | DIODE                 |                |
| D201          | VE-30001291 | DIODE                 |                |
| D202          | VE-30001285 | DIODE                 |                |
| D203          | VE-30007760 | ZENER DIODE           |                |
| D205          | VE-30007763 | ZENER DIODE           |                |
| D206          | VE-30007678 | DIODE GUC             |                |
| D207          | VE-30007768 | DIODE                 |                |
| D208          | VE-30001291 | DIODE                 |                |
| D209          | VE-30001291 | DIODE                 |                |
| D210          | VE-30001299 | DIODE                 |                |
| D211          | VE-30001299 | DIODE                 |                |
| D212          | VE-30001291 | DIODE                 |                |
| D213          | VE-30001291 | DIODE                 |                |
| D214          | VE-30007763 | ZENER DIODE           |                |
| D215          | VE-30007762 | ZENER DIODE           |                |
| D216          | VE-30001285 | DIODE                 |                |

## [ AV28BH7ENS / AV28BH7ENB ]

| Symbol No.   | Part No.    | Part Name   | Description |
|--------------|-------------|-------------|-------------|
| <b>DIODE</b> |             |             |             |
| D218         | VE-30001291 | DIODE       |             |
| D219         | VE-30001291 | DIODE       |             |
| D220         | VE-30001284 | DIODE       |             |
| D221         | VE-30001284 | DIODE       |             |
| D222         | VE-30001284 | DIODE       |             |
| D223         | VE-30001285 | DIODE       |             |
| D224         | VE-30001285 | DIODE       |             |
| D225         | VE-30001318 | DIODE       |             |
| D403         | VE-30001285 | DIODE       |             |
| D900         | VE-30012412 | ZENER DIODE |             |
| D901         | VE-30007761 | ZENER DIODE |             |

**TRANSISTOR**

|      |             |    |  |
|------|-------------|----|--|
| Q101 | VE-30007801 | TR |  |
| Q103 | VE-30007802 | TR |  |
| Q104 | VE-30007798 | TR |  |
| Q105 | VE-30007798 | TR |  |
| Q106 | VE-30007802 | TR |  |
| Q107 | VE-30007798 | TR |  |
| Q108 | VE-30007798 | TR |  |
| Q109 | VE-30001457 | TR |  |
| Q110 | VE-30001457 | TR |  |
| Q112 | VE-30001454 | TR |  |
| Q113 | VE-30001428 | TR |  |
| Q201 | VE-30007802 | TR |  |
| Q202 | VE-30016686 | TR |  |
| Q203 | VE-30001458 | TR |  |
| Q204 | VE-30001458 | TR |  |
| Q205 | VE-30007799 | TR |  |
| Q206 | VE-30001457 | TR |  |
| Q207 | VE-30001457 | TR |  |
| Q208 | VE-30001455 | TR |  |
| Q403 | VE-30001457 | TR |  |
| Q408 | VE-30007800 | TR |  |
| Q415 | VE-30001457 | TR |  |
| Q801 | VE-30001457 | TR |  |
| Q802 | VE-30001457 | TR |  |
| Q900 | VE-30001458 | TR |  |
| Q901 | VE-30001457 | TR |  |
| Q902 | VE-30001457 | TR |  |
| Q903 | VE-30001457 | TR |  |
| Q904 | VE-30001457 | TR |  |
| Q905 | VE-30001457 | TR |  |
| Q906 | VE-30001457 | TR |  |
| Q907 | VE-30001457 | TR |  |
| Q908 | VE-30001457 | TR |  |
| Q909 | VE-30001458 | TR |  |
| Q910 | VE-30001457 | TR |  |
| Q911 | VE-30001457 | TR |  |

**IC**

|       |             |             |  |
|-------|-------------|-------------|--|
| IC101 | VE-30007442 | IC          |  |
| IC102 | VE-30015087 | IC          |  |
| IC103 | VE-30001506 | IC          |  |
| IC104 | VE-30007444 | IC          |  |
| IC105 | VE-30001500 | IC          |  |
| IC106 | VE-30001668 | IC          |  |
| IC201 | VE-30007793 | IC          |  |
| IC202 | VE-30001506 | IC          |  |
| IC302 | VE-30015382 | IC (MEMORY) |  |
| IC304 | VE-30016491 | IC          |  |
| IC401 | VE-30001495 | IC          |  |
| IC801 | VE-30007794 | IC          |  |
| IC802 | VE-30007794 | IC          |  |
| IC900 | VE-30013571 | IC (MYCOM)  |  |

**OTHERS**

|       |             |              |            |
|-------|-------------|--------------|------------|
| F101  | VE-30000849 | FUSE ASSY    | 3.15A      |
| F102  | VE-30009037 | FUSE         | 6.3A       |
| F103  | VE-30009037 | FUSE         | 6.3A       |
| RL2   | VE-30002183 | RELAY        |            |
| S133  | VE-30000575 | SMD RES.     | 1/10W 2K J |
| T401  | VE-30001724 | SER FILTER   |            |
| TU401 | VE-30009637 | TUNER        |            |
| VL401 | VE-30002037 | ADJ COIL VIF | 38.9 Q80   |
| VR127 | VE-30001041 | ADJ RES.     | 0.15W 1K M |
| X900  | VE-30006662 | XTAL         | 6MHZ       |
| Z401  | VE-30001706 | SAW FILTER   |            |
| Z403  | VE-30001692 | SAW FILTER   |            |

**MULTISOUND P.W. BOARD ASS'Y(VE-30017302)**

| Symbol No.      | Part No.    | Part Name | Description  |
|-----------------|-------------|-----------|--------------|
| <b>RESISTOR</b> |             |           |              |
| R501            | VE-30000475 | SMD RES.  | 1/10W 10K J  |
| R502            | VE-30000475 | SMD RES.  | 1/10W 10K J  |
| R503            | VE-30000459 | CF RES.   | 1/4W 100R J  |
| R504            | VE-30000459 | CF RES.   | 1/4W 100R J  |
| R505            | VE-30000464 | SMD RES.  | 1/10W 100R J |
| R506            | VE-30000721 | SMD RES.  | 1/10W 4.7K J |
| R507            | VE-30000626 | SMD RES.  | 1/10W 270R J |
| R508            | VE-30000464 | SMD RES.  | 1/10W 100R J |
| R509            | VE-30000464 | SMD RES.  | 1/10W 100R J |
| R510            | VE-30000464 | SMD RES.  | 1/10W 100R J |
| R511            | VE-30000464 | SMD RES.  | 1/10W 100R J |
| R512            | VE-30000469 | SMD RES.  | 1/10W 1K J   |
| R513            | VE-30000466 | CF RES.   | 1/4W 1K J    |
| R516            | VE-30000469 | SMD RES.  | 1/10W 1K J   |
| R517            | VE-30000469 | SMD RES.  | 1/10W 1K J   |
| R518            | VE-30000469 | SMD RES.  | 1/10W 1K J   |
| R519            | VE-30000469 | SMD RES.  | 1/10W 1K J   |
| R520            | VE-30000469 | SMD RES.  | 1/10W 1K J   |
| R521            | VE-30000469 | SMD RES.  | 1/10W 1K J   |
| R522            | VE-30000469 | SMD RES.  | 1/10W 1K J   |
| R523            | VE-30000469 | SMD RES.  | 1/10W 1K J   |
| R524            | VE-30000797 | SMD RES.  | 1/10W 75R J  |
| R525            | VE-30000797 | SMD RES.  | 1/10W 75R J  |
| R529            | VE-30000797 | SMD RES.  | 1/10W 75R J  |
| R532            | VE-30000459 | CF RES.   | 1/4W 100R J  |
| R533            | VE-30000459 | CF RES.   | 1/4W 100R J  |
| R535            | VE-30001207 | FUSE RES. | 1/4W 10R J   |
| R536            | VE-30000797 | SMD RES.  | 1/10W 75R J  |
| R538            | VE-30000457 | SMD RES.  | 1/10W 10R J  |
| R539            | VE-30000452 | CF RES.   | 1/4W 10R J   |
| R540            | VE-30000457 | SMD RES.  | 1/10W 10R J  |
| R541            | VE-30000717 | SMD RES.  | 1/10W 470R J |
| R542            | VE-30000475 | SMD RES.  | 1/10W 10K J  |
| R543            | VE-30000721 | SMD RES.  | 1/10W 4.7K J |
| R544            | VE-30000717 | SMD RES.  | 1/10W 470R J |
| R545            | VE-30000475 | SMD RES.  | 1/10W 10K J  |
| R546            | VE-30000712 | CF RES.   | 1/4W 470R J  |
| R547            | VE-30000475 | SMD RES.  | 1/10W 10K J  |
| R548            | VE-30000717 | SMD RES.  | 1/10W 470R J |
| R549            | VE-30000475 | SMD RES.  | 1/10W 10K J  |
| R550            | VE-30000721 | SMD RES.  | 1/10W 4.7K J |
| R551            | VE-30000721 | SMD RES.  | 1/10W 4.7K J |
| R552            | VE-30000452 | CF RES.   | 1/4W 10R J   |
| R553            | VE-30000721 | SMD RES.  | 1/10W 4.7K J |
| R555            | VE-30000797 | SMD RES.  | 1/10W 75R J  |
| R556            | VE-30000792 | CF RES.   | 1/4W 75R J   |
| R557            | VE-30000792 | CF RES.   | 1/4W 75R J   |
| R558            | VE-30000792 | CF RES.   | 1/4W 75R J   |
| R559            | VE-30000457 | SMD RES.  | 1/10W 10R J  |
| R560            | VE-30000717 | SMD RES.  | 1/10W 470R J |
| R561            | VE-30000475 | SMD RES.  | 1/10W 10K J  |
| R562            | VE-30000721 | SMD RES.  | 1/10W 4.7K J |
| R563            | VE-30000792 | CF RES.   | 1/4W 75R J   |
| R572            | VE-30000721 | SMD RES.  | 1/10W 4.7K J |
| R573            | VE-30000721 | SMD RES.  | 1/10W 4.7K J |
| R574            | VE-30000721 | SMD RES.  | 1/10W 4.7K J |
| R575            | VE-30000721 | SMD RES.  | 1/10W 4.7K J |
| R576            | VE-30000797 | SMD RES.  | 1/10W 75R J  |
| R577            | VE-30000480 | SMD RES.  | 1/10W 100K J |
| R578            | VE-30000480 | SMD RES.  | 1/10W 100K J |
| R579            | VE-30000797 | SMD RES.  | 1/10W 75R J  |
| R580            | VE-30000588 | SMD RES.  | 1/10W 220R J |
| R581            | VE-30000588 | SMD RES.  | 1/10W 220R J |
| R582            | VE-30000583 | CF RES.   | 1/4W 220R J  |
| R583            | VE-30000503 | SMD RES.  | 1/10W 12K J  |
| R584            | VE-30000636 | SMD RES.  | 1/10W 27K J  |
| R585            | VE-30000503 | SMD RES.  | 1/10W 12K J  |
| R586            | VE-30000636 | SMD RES.  | 1/10W 27K J  |
| R587            | VE-30000469 | SMD RES.  | 1/10W 1K J   |
| R588            | VE-30000469 | SMD RES.  | 1/10W 1K J   |
| R589            | VE-30000457 | SMD RES.  | 1/10W 10R J  |
| R590            | VE-30000469 | SMD RES.  | 1/10W 1K J   |
| R591            | VE-30000457 | SMD RES.  | 1/10W 10R J  |
| R592            | VE-30000464 | SMD RES.  | 1/10W 100R J |
| R593            | VE-30000469 | SMD RES.  | 1/10W 1K J   |
| R594            | VE-30000469 | SMD RES.  | 1/10W 1K J   |
| R595            | VE-30000457 | SMD RES.  | 1/10W 10R J  |
| R596            | VE-30000717 | SMD RES.  | 1/10W 470R J |
| R597            | VE-30000475 | SMD RES.  | 1/10W 10K J  |
| R598            | VE-30000721 | SMD RES.  | 1/10W 4.7K J |
| R599            | VE-30000797 | SMD RES.  | 1/10W 75R J  |
| R600            | VE-30000475 | SMD RES.  | 1/10W 10K J  |
| R613            | VE-30001231 | FUSE RES. | 27R 1/4W J   |
| R614            | VE-30000797 | SMD RES.  | 1/10W 75R J  |

[ AV28BH7ENS / AV28BH7ENB ]

| Symbol No.       | Part No.    | Part Name | Description |
|------------------|-------------|-----------|-------------|
| <b>CAPACITOR</b> |             |           |             |
| C501             | VE-30000407 | EL CAP.   | 470UF 16V M |
| C502             | VE-30000294 | SMD CAP.  | 100NF 50V K |
| C504             | VE-30000352 | EL CAP.   | 100UF 16V M |
| C505             | VE-30000407 | EL CAP.   | 470UF 16V M |
| C507             | VE-30000284 | SMD CAP.  | 1NF 50V K R |
| C508             | VE-30000284 | SMD CAP.  | 1NF 50V K R |
| C509             | VE-30000252 | SMD CAP.  | 47PF 50V J  |
| C510             | VE-30000252 | SMD CAP.  | 47PF 50V J  |
| C511             | VE-30000332 | SMD CAP.  | 4.7NF 50V K |
| C512             | VE-30000332 | SMD CAP.  | 4.7NF 50V K |
| C513             | VE-30000332 | SMD CAP.  | 4.7NF 50V K |
| C514             | VE-30000332 | SMD CAP.  | 4.7NF 50V K |
| C516             | VE-30000371 | EL CAP.   | 22UF 50V M  |
| C517             | VE-30000294 | SMD CAP.  | 100NF 50V K |
| C521             | VE-30000371 | EL CAP.   | 22UF 50V M  |
| C522             | VE-30000109 | MKT CAP.  | 470NF 63V J |
| C523             | VE-30000109 | MKT CAP.  | 470NF 63V J |
| C524             | VE-30000109 | MKT CAP.  | 470NF 63V J |
| C525             | VE-30000109 | MKT CAP.  | 470NF 63V J |
| C526             | VE-30000265 | SMD CAP.  | 560PF 50V J |
| C527             | VE-30000109 | MKT CAP.  | 470NF 63V J |
| C528             | VE-30000109 | MKT CAP.  | 470NF 63V J |
| C529             | VE-30000294 | SMD CAP.  | 100NF 50V K |
| C530             | VE-30000393 | EL CAP.   | 3.3UF 50V M |
| C531             | VE-30000345 | EL CAP.   | 10UF 50V M  |
| C532             | VE-30000345 | EL CAP.   | 10UF 50V M  |
| C533             | VE-30000345 | EL CAP.   | 10UF 50V M  |
| C534             | VE-30000284 | SMD CAP.  | 1NF 50V K R |
| C535             | VE-30000284 | SMD CAP.  | 1NF 50V K R |
| C536             | VE-30000216 | SMD CAP.  | 1.8PF 50V J |
| C537             | VE-30000216 | SMD CAP.  | 1.8PF 50V J |
| C538             | VE-30000284 | SMD CAP.  | 1NF 50V K R |
| C539             | VE-30000284 | SMD CAP.  | 1NF 50V K R |
| C540             | VE-30000284 | SMD CAP.  | 1NF 50V K R |
| C541             | VE-30000284 | SMD CAP.  | 1NF 50V K R |
| C542             | VE-30000263 | SMD CAP.  | 56PF 50V J  |
| C543             | VE-30000294 | SMD CAP.  | 100NF 50V K |
| C544             | VE-30000294 | SMD CAP.  | 100NF 50V K |
| C545             | VE-30000284 | SMD CAP.  | 1NF 50V K R |
| C546             | VE-30000284 | SMD CAP.  | 1NF 50V K R |
| C547             | VE-30000284 | SMD CAP.  | 1NF 50V K R |
| C548             | VE-30000284 | SMD CAP.  | 1NF 50V K R |
| C549             | VE-30000294 | SMD CAP.  | 100NF 50V K |
| C550             | VE-30000294 | SMD CAP.  | 100NF 50V K |
| C551             | VE-30000407 | EL CAP.   | 470UF 16V M |
| C552             | VE-30000407 | EL CAP.   | 470UF 16V M |
| C553             | VE-30000204 | SMD CAP.  | 150PF 50V J |
| C554             | VE-30000204 | SMD CAP.  | 150PF 50V J |
| C556             | VE-30000352 | EL CAP.   | 100UF 16V M |
| C557             | VE-30000332 | SMD CAP.  | 4.7NF 50V K |
| C558             | VE-30000332 | SMD CAP.  | 4.7NF 50V K |
| C560             | VE-30000074 | MKT CAP.  | 100NF 63V J |
| C561             | VE-30000247 | SMD CAP.  | 39PF 50V J  |
| C562             | VE-30000247 | SMD CAP.  | 39PF 50V J  |
| C563             | VE-30000294 | SMD CAP.  | 100NF 50V K |
| C564             | VE-30000332 | SMD CAP.  | 4.7NF 50V K |
| C565             | VE-30000332 | SMD CAP.  | 4.7NF 50V K |
| C566             | VE-30000074 | MKT CAP.  | 100NF 63V J |
| C567             | VE-30000074 | MKT CAP.  | 100NF 63V J |
| C569             | VE-30000074 | MKT CAP.  | 100NF 63V J |
| C576             | VE-30000074 | MKT CAP.  | 100NF 63V J |
| C582             | VE-30000092 | MKT CAP.  | 220NF 63V J |
| C583             | VE-30000204 | SMD CAP.  | 150PF 50V J |
| C584             | VE-30000204 | SMD CAP.  | 150PF 50V J |
| C585             | VE-30000092 | MKT CAP.  | 220NF 63V J |
| C586             | VE-30000092 | MKT CAP.  | 220NF 63V J |
| C587             | VE-30000092 | MKT CAP.  | 220NF 63V J |
| C590             | VE-30000332 | SMD CAP.  | 4.7NF 50V K |
| C591             | VE-30000332 | SMD CAP.  | 4.7NF 50V K |
| C592             | VE-30000092 | MKT CAP.  | 220NF 63V J |
| C612             | VE-30000204 | SMD CAP.  | 150PF 50V J |
| C614             | VE-30000294 | SMD CAP.  | 100NF 50V K |
| C615             | VE-30000284 | SMD CAP.  | 1NF 50V K R |
| C616             | VE-30000294 | SMD CAP.  | 100NF 50V K |
| C617             | VE-30000294 | SMD CAP.  | 100NF 50V K |
| C618             | VE-30000294 | SMD CAP.  | 100NF 50V K |
| C619             | VE-30000294 | SMD CAP.  | 100NF 50V K |
| C620             | VE-30000092 | MKT CAP.  | 220NF 63V J |
| C623             | VE-30000371 | EL CAP.   | 22UF 50V M  |
| C624             | VE-30000371 | EL CAP.   | 22UF 50V M  |
| C626             | VE-30000371 | EL CAP.   | 22UF 50V M  |
| C627             | VE-30000371 | EL CAP.   | 22UF 50V M  |
| C628             | VE-30000371 | EL CAP.   | 22UF 50V M  |
| C629             | VE-30000371 | EL CAP.   | 22UF 50V M  |

| Symbol No.        | Part No.    | Part Name    | Description  |
|-------------------|-------------|--------------|--------------|
| <b>CAPACITOR</b>  |             |              |              |
| C630              | VE-30000294 | SMD CAP.     | 100NF 50V K  |
| C631              | VE-30000237 | SMD CAP.     | 33PF 50V J   |
| C632              | VE-30000237 | SMD CAP.     | 33PF 50V J   |
| C633              | VE-30000237 | SMD CAP.     | 33PF 50V J   |
| C634              | VE-30000237 | SMD CAP.     | 33PF 50V J   |
| C635              | VE-30000232 | SMD CAP.     | 270PF 50V J  |
| C636              | VE-30000256 | SMD CAP.     | 470PF 50V J  |
| C637              | VE-30000237 | SMD CAP.     | 33PF 50V J   |
| C638              | VE-30000289 | SMD CAP.     | 10NF 50V K R |
| C640              | VE-30000332 | SMD CAP.     | 4.7NF 50V K  |
| C641              | VE-30000332 | SMD CAP.     | 4.7NF 50V K  |
| C643              | VE-30000294 | SMD CAP.     | 100NF 50V K  |
| C644              | VE-30000294 | SMD CAP.     | 100NF 50V K  |
| <b>COIL</b>       |             |              |              |
| L501              | VE-30001996 | FIXED COIL   | 22UH Q40 K   |
| L502              | VE-30001996 | FIXED COIL   | 22UH Q40 K   |
| L503              | VE-30001996 | FIXED COIL   | 22UH Q40 K   |
| L504              | VE-30001996 | FIXED COIL   | 22UH Q40 K   |
| L505              | VE-30001996 | FIXED COIL   | 22UH Q40 K   |
| L506              | VE-30001996 | FIXED COIL   | 22UH Q40 K   |
| L507              | VE-30001996 | FIXED COIL   | 22UH Q40 K   |
| L508              | VE-30001996 | FIXED COIL   | 22UH Q40 K   |
| L509              | VE-30001996 | FIXED COIL   | 22UH Q40 K   |
| L510              | VE-30001996 | FIXED COIL   | 22UH Q40 K   |
| L513              | VE-30001996 | FIXED COIL   | 22UH Q40 K   |
| L514              | VE-30001996 | FIXED COIL   | 22UH Q40 K   |
| L515              | VE-30001996 | FIXED COIL   | 22UH Q40 K   |
| L516              | VE-30001996 | FIXED COIL   | 22UH Q40 K   |
| L517              | VE-30001996 | FIXED COIL   | 22UH Q40 K   |
| L520              | VE-30013413 | FERRITE BEAD |              |
| L521              | VE-30013413 | FERRITE BEAD |              |
| L522              | VE-30013413 | FERRITE BEAD |              |
| L523              | VE-30013413 | FERRITE BEAD |              |
| L524              | VE-30013413 | FERRITE BEAD |              |
| L525              | VE-30013413 | FERRITE BEAD |              |
| L526              | VE-30013413 | FERRITE BEAD |              |
| L527              | VE-30013413 | FERRITE BEAD |              |
| L533              | VE-30013413 | FERRITE BEAD |              |
| L534              | VE-30013413 | FERRITE BEAD |              |
| L535              | VE-30013413 | FERRITE BEAD |              |
| L536              | VE-30010964 | FERRITE BEAD |              |
| L537              | VE-30010964 | FERRITE BEAD |              |
| <b>DIODE</b>      |             |              |              |
| D501              | VE-30001369 | ZENER DIODE  |              |
| D502              | VE-30001284 | DIODE        |              |
| D504              | VE-30001285 | DIODE        |              |
| D505              | VE-30001285 | DIODE        |              |
| <b>TRANSISTOR</b> |             |              |              |
| Q501              | VE-30001458 | TR           |              |
| Q502              | VE-30001457 | TR           |              |
| Q503              | VE-30001457 | TR           |              |
| Q504              | VE-30001457 | TR           |              |
| Q505              | VE-30001457 | TR           |              |
| Q506              | VE-30001457 | TR           |              |
| Q507              | VE-30001457 | TR           |              |
| Q508              | VE-30001457 | TR           |              |
| Q509              | VE-30001457 | TR           |              |
| Q510              | VE-30001457 | TR           |              |
| Q511              | VE-30001457 | TR           |              |
| Q512              | VE-30001457 | TR           |              |
| Q513              | VE-30001457 | TR           |              |
| Q514              | VE-30001457 | TR           |              |
| Q515              | VE-30001457 | TR           |              |
| <b>IC</b>         |             |              |              |
| IC501             | VE-30001664 | IC           |              |
| IC502             | VE-30001619 | IC           |              |
| IC504             | VE-30001349 | ZENER DIODE  | 11V          |
| <b>OTHERS</b>     |             |              |              |
| X501              | VE-30001756 | XTAL         |              |



[ AV28BH7ENS / AV28BH7ENB ]

FEATURE BOX P.W. BOARD ASS'Y (VE-30013755)

| △ Symbol No.    | Part No.    | Part Name | Description  |
|-----------------|-------------|-----------|--------------|
| <b>RESISTOR</b> |             |           |              |
| R001            | VE-30000659 | SMD RES.  | 1/10W 330R J |
| R002            | VE-30000464 | SMD RES.  | 1/10W 100R J |
| R003            | VE-30000688 | SMD RES.  | 1/10W 390R J |
| R004            | VE-30006462 | SMD RES.  | 1/10W 22R J  |
| R005            | VE-30000653 | SMD RES.  | 1/10W 33R J  |
| R006            | VE-30000588 | SMD RES.  | 1/10W 220R J |
| R007            | VE-30000469 | SMD RES.  | 1/10W 1K J   |
| R008            | VE-30000659 | SMD RES.  | 1/10W 330R J |
| R009            | VE-30000659 | SMD RES.  | 1/10W 330R J |
| R010            | VE-30000659 | SMD RES.  | 1/10W 330R J |
| R011            | VE-30000659 | SMD RES.  | 1/10W 330R J |
| R012            | VE-30000659 | SMD RES.  | 1/10W 330R J |
| R013            | VE-30000659 | SMD RES.  | 1/10W 330R J |
| R014            | VE-30000659 | SMD RES.  | 1/10W 330R J |
| R015            | VE-30000659 | SMD RES.  | 1/10W 330R J |
| R016            | VE-30000659 | SMD RES.  | 1/10W 330R J |
| R017            | VE-30000659 | SMD RES.  | 1/10W 330R J |
| R018            | VE-30000659 | SMD RES.  | 1/10W 330R J |
| R021            | VE-30000659 | SMD RES.  | 1/10W 330R J |
| R024            | VE-30000797 | SMD RES.  | 1/10W 75R J  |
| R026            | VE-30000797 | SMD RES.  | 1/10W 75R J  |
| R028            | VE-30000797 | SMD RES.  | 1/10W 75R J  |
| R030            | VE-30000797 | SMD RES.  | 1/10W 75R J  |
| R031            | VE-30000833 | SMD RES.  | 1/10W 91R J  |
| R032            | VE-30000524 | SMD RES.  | 1/10W 150R J |
| R033            | VE-30000475 | SMD RES.  | 1/10W 10K J  |
| R034            | VE-30000469 | SMD RES.  | 1/10W 1K J   |
| R047            | VE-30000797 | SMD RES.  | 1/10W 75R J  |
| R048            | VE-30006462 | SMD RES.  | 1/10W 22R J  |
| R050            | VE-30000597 | SMD RES.  | 1/10W 22K J  |
| R053            | VE-30000797 | SMD RES.  | 1/10W 75R J  |
| R054            | VE-30000797 | SMD RES.  | 1/10W 75R J  |
| R055            | VE-30000797 | SMD RES.  | 1/10W 75R J  |
| R056            | VE-30000797 | SMD RES.  | 1/10W 75R J  |
| R057            | VE-30000797 | SMD RES.  | 1/10W 75R J  |
| R058            | VE-30000797 | SMD RES.  | 1/10W 75R J  |
| R059            | VE-30000797 | SMD RES.  | 1/10W 75R J  |
| R074            | VE-30000721 | SMD RES.  | 1/10W 4.7K J |
| R075            | VE-30000721 | SMD RES.  | 1/10W 4.7K J |
| R076            | VE-30000721 | SMD RES.  | 1/10W 4.7K J |
| R079            | VE-30000464 | SMD RES.  | 1/10W 100R J |
| R080            | VE-30000688 | SMD RES.  | 1/10W 390R J |
| R081            | VE-30006462 | SMD RES.  | 1/10W 22R J  |
| R082            | VE-30000797 | SMD RES.  | 1/10W 75R J  |
| R083            | VE-30000588 | SMD RES.  | 1/10W 220R J |
| R084            | VE-30000469 | SMD RES.  | 1/10W 1K J   |
| R085            | VE-30000464 | SMD RES.  | 1/10W 100R J |
| R086            | VE-30000688 | SMD RES.  | 1/10W 390R J |
| R087            | VE-30006462 | SMD RES.  | 1/10W 22R J  |
| R088            | VE-30000797 | SMD RES.  | 1/10W 75R J  |
| R089            | VE-30000588 | SMD RES.  | 1/10W 220R J |
| R090            | VE-30000469 | SMD RES.  | 1/10W 1K J   |
| R091            | VE-30000464 | SMD RES.  | 1/10W 100R J |
| R092            | VE-30000688 | SMD RES.  | 1/10W 390R J |
| R093            | VE-30006462 | SMD RES.  | 1/10W 22R J  |
| R094            | VE-30000797 | SMD RES.  | 1/10W 75R J  |
| R095            | VE-30000588 | SMD RES.  | 1/10W 220R J |
| R096            | VE-30000469 | SMD RES.  | 1/10W 1K J   |
| R098            | VE-30000597 | SMD RES.  | 1/10W 22K J  |
| R099            | VE-30000626 | SMD RES.  | 1/10W 270R J |
| R100            | VE-30000475 | SMD RES.  | 1/10W 10K J  |
| R101            | VE-30000593 | SMD RES.  | 1/10W 2.2K J |
| R105            | VE-30000475 | SMD RES.  | 1/10W 10K J  |
| R106            | VE-30000664 | SMD RES.  | 1/10W 3.3K J |
| R107            | VE-30000475 | SMD RES.  | 1/10W 10K J  |
| R108            | VE-30000475 | SMD RES.  | 1/10W 10K J  |
| R110            | VE-30000534 | SMD RES.  | 1/10W 15K J  |
| R111            | VE-30000534 | SMD RES.  | 1/10W 15K J  |
| R112            | VE-30000593 | SMD RES.  | 1/10W 2.2K J |
| R117            | VE-30000475 | SMD RES.  | 1/10W 10K J  |
| R119            | VE-30000475 | SMD RES.  | 1/10W 10K J  |
| R120            | VE-30000469 | SMD RES.  | 1/10W 1K J   |
| R121            | VE-30006462 | SMD RES.  | 1/10W 22R J  |
| R122            | VE-30000588 | SMD RES.  | 1/10W 220R J |
| R125            | VE-30000659 | SMD RES.  | 1/10W 330R J |
| R126            | VE-30000659 | SMD RES.  | 1/10W 330R J |
| R127            | VE-30000659 | SMD RES.  | 1/10W 330R J |
| R128            | VE-30000659 | SMD RES.  | 1/10W 330R J |
| R129            | VE-30000659 | SMD RES.  | 1/10W 330R J |
| R130            | VE-30000659 | SMD RES.  | 1/10W 330R J |
| R131            | VE-30000659 | SMD RES.  | 1/10W 330R J |
| R132            | VE-30000659 | SMD RES.  | 1/10W 330R J |
| R133            | VE-30000659 | SMD RES.  | 1/10W 330R J |

| △ Symbol No.    | Part No.    | Part Name | Description  |
|-----------------|-------------|-----------|--------------|
| <b>RESISTOR</b> |             |           |              |
| R134            | VE-30000659 | SMD RES.  | 1/10W 330R J |
| R135            | VE-30000659 | SMD RES.  | 1/10W 330R J |
| R136            | VE-30000659 | SMD RES.  | 1/10W 330R J |
| R137            | VE-30000659 | SMD RES.  | 1/10W 330R J |
| R138            | VE-30000659 | SMD RES.  | 1/10W 330R J |
| R140            | VE-30000797 | SMD RES.  | 1/10W 75R J  |
| R141            | VE-30000659 | SMD RES.  | 1/10W 330R J |
| R142            | VE-30000659 | SMD RES.  | 1/10W 330R J |
| R143            | VE-30000659 | SMD RES.  | 1/10W 330R J |
| R144            | VE-30000659 | SMD RES.  | 1/10W 330R J |
| R145            | VE-30000659 | SMD RES.  | 1/10W 330R J |
| R149            | VE-30000534 | SMD RES.  | 1/10W 15K J  |
| R150            | VE-30000797 | SMD RES.  | 1/10W 75R J  |
| R151            | VE-30000797 | SMD RES.  | 1/10W 75R J  |
| R152            | VE-30000797 | SMD RES.  | 1/10W 75R J  |
| R153            | VE-30000797 | SMD RES.  | 1/10W 75R J  |
| R154            | VE-30000797 | SMD RES.  | 1/10W 75R J  |
| R155            | VE-30000464 | SMD RES.  | 1/10W 100R J |
| R156            | VE-30000464 | SMD RES.  | 1/10W 100R J |
| R157            | VE-30000464 | SMD RES.  | 1/10W 100R J |
| R158            | VE-30000464 | SMD RES.  | 1/10W 100R J |
| R159            | VE-30000464 | SMD RES.  | 1/10W 100R J |
| R161            | VE-30000464 | SMD RES.  | 1/10W 100R J |
| R162            | VE-30000464 | SMD RES.  | 1/10W 100R J |
| R163            | VE-30000464 | SMD RES.  | 1/10W 100R J |
| R164            | VE-30000464 | SMD RES.  | 1/10W 100R J |
| R165            | VE-30000721 | SMD RES.  | 1/10W 4.7K J |

**CAPACITOR**

|      |             |          |               |
|------|-------------|----------|---------------|
| C001 | VE-30000309 | SMD CAP. | 2.2NF 50V K R |
| C002 | VE-30000294 | SMD CAP. | 100NF 50V K   |
| C003 | VE-30000334 | SMD CAP. | 47NF 50V K    |
| C004 | VE-30000309 | SMD CAP. | 2.2NF 50V K R |
| C005 | VE-30000186 | SMD CAP. | 10PF 50V D CG |
| C006 | VE-30000186 | SMD CAP. | 10PF 50V D CG |
| C007 | VE-30000232 | SMD CAP. | 270PF 50V J   |
| C008 | VE-30000265 | SMD CAP. | 560PF 50V J   |
| C009 | VE-30000309 | SMD CAP. | 2.2NF 50V K R |
| C010 | VE-30000232 | SMD CAP. | 270PF 50V J   |
| C011 | VE-30000265 | SMD CAP. | 560PF 50V J   |
| C012 | VE-30000309 | SMD CAP. | 2.2NF 50V K R |
| C013 | VE-30000232 | SMD CAP. | 270PF 50V J   |
| C014 | VE-30000265 | SMD CAP. | 560PF 50V J   |
| C015 | VE-30000309 | SMD CAP. | 2.2NF 50V K R |
| C016 | VE-30000232 | SMD CAP. | 270PF 50V J   |
| C017 | VE-30000265 | SMD CAP. | 560PF 50V J   |
| C018 | VE-30000309 | SMD CAP. | 2.2NF 50V K R |
| C019 | VE-30000309 | SMD CAP. | 2.2NF 50V K R |
| C020 | VE-30000294 | SMD CAP. | 100NF 50V K   |
| C021 | VE-30000345 | EL CAP.  | 10UF 50V M    |
| C022 | VE-30000345 | EL CAP.  | 10UF 50V M    |
| C024 | VE-30000345 | EL CAP.  | 10UF 50V M    |
| C026 | VE-30000345 | EL CAP.  | 10UF 50V M    |
| C027 | VE-30000345 | EL CAP.  | 10UF 50V M    |
| C028 | VE-30000345 | EL CAP.  | 10UF 50V M    |
| C029 | VE-30000242 | SMD CAP. | 330PF 50V J   |
| C030 | VE-30010560 | SMD CAP. | 220NF 25V K R |
| C031 | VE-30000242 | SMD CAP. | 330PF 50V J   |
| C032 | VE-30010560 | SMD CAP. | 220NF 25V K R |
| C033 | VE-30000242 | SMD CAP. | 330PF 50V J   |
| C034 | VE-30010560 | SMD CAP. | 220NF 25V K R |
| C035 | VE-30000109 | MKT CAP. | 470NF 63V J   |
| C036 | VE-30000345 | EL CAP.  | 10UF 50V M    |
| C037 | VE-30000345 | EL CAP.  | 10UF 50V M    |
| C038 | VE-30000289 | SMD CAP. | 10NF 50V K R  |
| C039 | VE-30000371 | EL CAP.  | 22UF 50V M    |
| C040 | VE-30000392 | EL CAP.  | 0.33UF 50V M  |
| C041 | VE-30000371 | EL CAP.  | 22UF 50V M    |
| C042 | VE-30000392 | EL CAP.  | 0.33UF 50V M  |
| C043 | VE-30000392 | EL CAP.  | 0.33UF 50V M  |
| C045 | VE-30000294 | SMD CAP. | 100NF 50V K   |
| C046 | VE-30000294 | SMD CAP. | 100NF 50V K   |
| C047 | VE-30000294 | SMD CAP. | 100NF 50V K   |
| C048 | VE-30000232 | SMD CAP. | 270PF 50V J   |
| C049 | VE-30000265 | SMD CAP. | 560PF 50V J   |
| C050 | VE-30000309 | SMD CAP. | 2.2NF 50V K R |
| C051 | VE-30000232 | SMD CAP. | 270PF 50V J   |
| C052 | VE-30000265 | SMD CAP. | 560PF 50V J   |
| C053 | VE-30000309 | SMD CAP. | 2.2NF 50V K R |
| C054 | VE-30000228 | SMD CAP. | 27PF 50V J CH |
| C055 | VE-30000228 | SMD CAP. | 27PF 50V J CH |

[ AV28BH7ENS / AV28BH7ENB ]

| Symbol No.       | Part No.    | Part Name | Description    |
|------------------|-------------|-----------|----------------|
| <b>CAPACITOR</b> |             |           |                |
| C056             | VE-30000232 | SMD CAP.  | 270PF 50V J    |
| C057             | VE-30000265 | SMD CAP.  | 560PF 50V J    |
| C058             | VE-30000309 | SMD CAP.  | 2.2NF 50V K R  |
| C059             | VE-30000284 | SMD CAP.  | 1NF 50V K R    |
| C060             | VE-30000289 | SMD CAP.  | 10NF 50V K R   |
| C061             | VE-30000294 | SMD CAP.  | 100NF 50V K    |
| C062             | VE-30000294 | SMD CAP.  | 100NF 50V K    |
| C063             | VE-30000289 | SMD CAP.  | 10NF 50V K R   |
| C064             | VE-30000289 | SMD CAP.  | 10NF 50V K R   |
| C065             | VE-30000289 | SMD CAP.  | 10NF 50V K R   |
| C066             | VE-30000289 | SMD CAP.  | 10NF 50V K R   |
| C067             | VE-30000289 | SMD CAP.  | 10NF 50V K R   |
| C068             | VE-30000294 | SMD CAP.  | 100NF 50V K    |
| C069             | VE-30000289 | SMD CAP.  | 10NF 50V K R   |
| C070             | VE-30000289 | SMD CAP.  | 10NF 50V K R   |
| C071             | VE-30000289 | SMD CAP.  | 10NF 50V K R   |
| C072             | VE-30000309 | SMD CAP.  | 2.2NF 50V K R  |
| C073             | VE-30000265 | SMD CAP.  | 560PF 50V J    |
| C074             | VE-30000345 | EL CAP.   | 10UF 50V M     |
| C075             | VE-30000345 | EL CAP.   | 10UF 50V M     |
| C076             | VE-30000345 | EL CAP.   | 10UF 50V M     |
| C077             | VE-30000345 | EL CAP.   | 10UF 50V M     |
| C078             | VE-30000109 | MKT CAP.  | 470NF 63V J    |
| C079             | VE-30000109 | MKT CAP.  | 470NF 63V J    |
| C080             | VE-30000345 | EL CAP.   | 10UF 50V M     |
| C081             | VE-30000345 | EL CAP.   | 10UF 50V M     |
| C082             | VE-30000345 | EL CAP.   | 10UF 50V M     |
| C083             | VE-30000294 | SMD CAP.  | 100NF 50V K    |
| C084             | VE-30000186 | SMD CAP.  | 10PF 50V D COG |
| C085             | VE-30000232 | SMD CAP.  | 270PF 50V J    |
| C086             | VE-30000309 | SMD CAP.  | 2.2NF 50V K R  |
| C087             | VE-30000265 | SMD CAP.  | 560PF 50V J    |
| C088             | VE-30000232 | SMD CAP.  | 270PF 50V J    |
| C089             | VE-30000232 | SMD CAP.  | 270PF 50V J    |
| C090             | VE-30000265 | SMD CAP.  | 560PF 50V J    |
| C091             | VE-30000309 | SMD CAP.  | 2.2NF 50V K R  |
| C092             | VE-30000309 | SMD CAP.  | 2.2NF 50V K R  |
| C093             | VE-30000265 | SMD CAP.  | 560PF 50V J    |
| C094             | VE-30000232 | SMD CAP.  | 270PF 50V J    |
| C095             | VE-30000232 | SMD CAP.  | 270PF 50V J    |
| C096             | VE-30000265 | SMD CAP.  | 560PF 50V J    |
| C097             | VE-30000309 | SMD CAP.  | 2.2NF 50V K R  |
| C098             | VE-30000345 | EL CAP.   | 10UF 50V M     |
| C099             | VE-30000345 | EL CAP.   | 10UF 50V M     |
| C100             | VE-30000393 | EL CAP.   | 3.3UF 50V M    |
| C101             | VE-30000392 | EL CAP.   | 0.33UF 50V M   |
| C102             | VE-30000345 | EL CAP.   | 10UF 50V M     |
| C103             | VE-30000289 | SMD CAP.  | 10NF 50V K R   |
| C104             | VE-30000284 | SMD CAP.  | 1NF 50V K R    |
| C105             | VE-30000294 | SMD CAP.  | 100NF 50V K    |
| C106             | VE-30000294 | SMD CAP.  | 100NF 50V K    |
| C107             | VE-30000186 | SMD CAP.  | 10PF 50V D COG |
| C108             | VE-30000345 | EL CAP.   | 10UF 50V M     |
| C109             | VE-30000294 | SMD CAP.  | 100NF 50V K    |
| C110             | VE-30000186 | SMD CAP.  | 10PF 50V D COG |
| C111             | VE-30000186 | SMD CAP.  | 10PF 50V D COG |
| C112             | VE-30000284 | SMD CAP.  | 1NF 50V K R    |
| C113             | VE-30000242 | SMD CAP.  | 330PF 50V J    |
| C25              | VE-30000109 | MKT CAP.  | 470NF 63V J    |

**COIL**

|      |             |            |              |
|------|-------------|------------|--------------|
| L001 | VE-30001992 | FIXED COIL | 10UH Q65 K-A |
| L002 | VE-30001992 | FIXED COIL | 10UH Q65 K-A |
| L003 | VE-30001992 | FIXED COIL | 10UH Q65 K-A |
| L004 | VE-30001986 | FIXED COIL | 3.3UH Q65 K  |
| L005 | VE-30001986 | FIXED COIL | 3.3UH Q65 K  |
| L006 | VE-30001996 | FIXED COIL | 22UH Q40 K   |
| L007 | VE-30001986 | FIXED COIL | 3.3UH Q65 K  |
| L008 | VE-30001986 | FIXED COIL | 3.3UH Q65 K  |
| L009 | VE-30001986 | FIXED COIL | 3.3UH Q65 K  |
| L010 | VE-30001986 | FIXED COIL | 3.3UH Q65 K  |

**DIODE**

|      |             |       |  |
|------|-------------|-------|--|
| D001 | VE-30001284 | DIODE |  |
| D002 | VE-30001284 | DIODE |  |
| D003 | VE-30001284 | DIODE |  |

| Symbol No.        | Part No.    | Part Name | Description |
|-------------------|-------------|-----------|-------------|
| <b>TRANSISTOR</b> |             |           |             |
| Q001              | VE-30001454 | TR        |             |
| Q002              | VE-30001454 | TR        |             |
| Q003              | VE-30001455 | TR        |             |
| Q004              | VE-30001454 | TR        |             |
| Q005              | VE-30001454 | TR        |             |
| Q006              | VE-30001455 | TR        |             |
| Q007              | VE-30001454 | TR        |             |
| Q008              | VE-30001454 | TR        |             |
| Q009              | VE-30001455 | TR        |             |
| Q010              | VE-30001454 | TR        |             |
| Q011              | VE-30001454 | TR        |             |
| Q012              | VE-30001455 | TR        |             |
| Q013              | VE-30001454 | TR        |             |
| Q014              | VE-30001454 | TR        |             |
| Q015              | VE-30001454 | TR        |             |

**IC**

|       |             |    |  |
|-------|-------------|----|--|
| IC001 | VE-30010350 | IC |  |
| IC002 | VE-30010348 | IC |  |
| IC003 | VE-30007668 | IC |  |
| IC004 | VE-30007739 | IC |  |
| IC005 | VE-30010349 | IC |  |

**OTHERS**

|      |             |         |  |
|------|-------------|---------|--|
| X001 | VE-30008778 | XTAL    |  |
| X002 | VE-30008782 | XTAL    |  |
| Z1   | VE-30001962 | FERRITE |  |
| Z10  | VE-30001962 | FERRITE |  |
| Z14  | VE-30001962 | FERRITE |  |
| Z18  | VE-30001962 | FERRITE |  |
| Z24  | VE-30001962 | FERRITE |  |
| Z25  | VE-30001962 | FERRITE |  |
| Z26  | VE-30001962 | FERRITE |  |
| Z37  | VE-30001962 | FERRITE |  |
| Z38  | VE-30001962 | FERRITE |  |

**CRT SOCKET P.W. BOARD ASS'Y (VE-30017303)**

| Symbol No.      | Part No.    | Part Name | Description  |
|-----------------|-------------|-----------|--------------|
| <b>RESISTOR</b> |             |           |              |
| R901            | VE-30000499 | SMD RES.  | 1/10W 1.2K J |
| R902            | VE-30017132 | MF RES.   | 51K 1W F     |
| R903            | VE-30000499 | SMD RES.  | 1/10W 1.2K J |
| R904            | VE-30000524 | SMD RES.  | 1/10W 150R J |
| R905            | VE-30001192 | MO RES.   | 1W 680R J    |
| R906            | VE-30000499 | SMD RES.  | 1/10W 1.2K J |
| R907            | VE-30017132 | MF RES.   | 51K 1W F     |
| R908            | VE-30000499 | SMD RES.  | 1/10W 1.2K J |
| R909            | VE-30000524 | SMD RES.  | 1/10W 150R J |
| R910            | VE-30001192 | MO RES.   | 1W 680R J    |
| R911            | VE-30000499 | SMD RES.  | 1/10W 1.2K J |
| R912            | VE-30017132 | MF RES.   | 51K 1W F     |
| R913            | VE-30000499 | SMD RES.  | 1/10W 1.2K J |
| R914            | VE-30000524 | SMD RES.  | 1/10W 150R J |
| R915            | VE-30001192 | MO RES.   | 1W 680R J    |
| R916            | VE-30001125 | MO RES.   | 2W 2.2K J    |
| R917            | VE-30001170 | MO RES.   | 1W 4.7K J    |
| R918            | VE-30000788 | CF RES.   | 1/4W 6.8M J  |
| R920            | VE-30000535 | CF RES.   | 1/2W 150K J  |
| R922            | VE-30000477 | CF RES.   | 1/4W 100K J  |
| R923            | VE-30000477 | CF RES.   | 1/4W 100K J  |
| R924            | VE-30000477 | CF RES.   | 1/4W 100K J  |
| R925            | VE-30007788 | SMD RES.  | 1/10W 2.7K F |
| R926            | VE-30000469 | SMD RES.  | 1/10W 1K J   |
| R927            | VE-30001247 | FUSE RES. | 1/2W 4.7R J  |
| R929            | VE-30000466 | CF RES.   | 1/4W 1K J    |
| R931            | VE-30000593 | SMD RES.  | 1/10W 2.2K J |
| R932            | VE-30000471 | CF RES.   | 1/4W 10K J   |
| R944            | VE-30001211 | FUSE RES. | 1W 1K J      |

**CAPACITOR**

|      |             |        |           |
|------|-------------|--------|-----------|
| C901 | VE-30000275 | C CAP. | 8PF 50V D |
|------|-------------|--------|-----------|

[ AV28BH7ENS / AV28BH7ENB ]

| Symbol No.       | Part No.    | Part Name | Description       |
|------------------|-------------|-----------|-------------------|
| <b>CAPACITOR</b> |             |           |                   |
| C902             | VE-30000294 | SMD CAP.  | 100NF 50V K       |
| C903             | VE-30000075 | MKT CAP.  | 100NF 250V K (DC) |
| C904             | VE-30000265 | SMD CAP.  | 560PF 50V J       |
| C905             | VE-30000209 | SMD CAP.  | 18PF 50V J        |
| C906             | VE-30000294 | SMD CAP.  | 100NF 50V K       |
| C907             | VE-30000075 | MKT CAP.  | 100NF 250V K (DC) |
| C908             | VE-30000265 | SMD CAP.  | 560PF 50V J       |
| C909             | VE-30000220 | SMD CAP.  | 22PF 50V J        |
| C910             | VE-30000294 | SMD CAP.  | 100NF 50V K       |
| C911             | VE-30000075 | MKT CAP.  | 100NF 250V K (DC) |
| C912             | VE-30000265 | SMD CAP.  | 560PF 50V J       |
| C914             | VE-30000072 | MKT CAP.  | 10NF 1250V J      |
| C915             | VE-30000415 | EL CAP.   | 4.7UF 250V M      |
| C916             | VE-30000330 | C CAP.    | 4.7NF 50V K B     |
| C919             | VE-30000352 | EL CAP.   | 100UF 16V M       |
| C920             | VE-30000294 | SMD CAP.  | 100NF 50V K       |
| C921             | VE-30000359 | EL CAP.   | 1000UF 16V M      |
| C922             | VE-30000075 | MKT CAP.  | 100NF 250V K (DC) |
| C923             | VE-30000406 | EL CAP.   | 47UF 250V M (HR)  |
| C931             | VE-30000265 | SMD CAP.  | 560PF 50V J       |
| C934             | VE-30000294 | SMD CAP.  | 100NF 50V K       |
| C935             | VE-30000294 | SMD CAP.  | 100NF 50V K       |
| C936             | VE-30000075 | MKT CAP.  | 100NF 250V K (DC) |
| C938             | VE-30000433 | C CAP.    | 1NF 1KV M B       |
| C949             | VE-30000294 | SMD CAP.  | 100NF 50V K       |

| Symbol No.  | Part No.    | Part Name  | Description  |
|-------------|-------------|------------|--------------|
| <b>COIL</b> |             |            |              |
| L904        | VE-30001997 | FIXED COIL | 33UH Q60 J   |
| L905        | VE-30001991 | FIXED COIL | 10UH RAD     |
| L921        | VE-30001994 | FIXED COIL | 22UH J AXIAL |

| Symbol No.   | Part No.    | Part Name | Description |
|--------------|-------------|-----------|-------------|
| <b>DIODE</b> |             |           |             |
| D902         | VE-30001318 | DIODE     |             |
| D907         | VE-30001284 | DIODE     |             |

| Symbol No.        | Part No.    | Part Name | Description |
|-------------------|-------------|-----------|-------------|
| <b>TRANSISTOR</b> |             |           |             |
| Q901              | VE-30001427 | TR        |             |
| Q902              | VE-30001455 | TR        |             |

| Symbol No. | Part No.    | Part Name | Description |
|------------|-------------|-----------|-------------|
| <b>IC</b>  |             |           |             |
| IC901      | VE-20000989 | HE. ASSY  |             |
| IC902      | VE-20000989 | HE. ASSY  |             |
| IC903      | VE-20000989 | HE. ASSY  |             |

| Symbol No.    | Part No.    | Part Name  | Description |
|---------------|-------------|------------|-------------|
| <b>OTHERS</b> |             |            |             |
| PL904         | VE-30001855 | CRT SOCKET |             |

**FRONT CONTROL P.W. BOARD ASS'Y  
(VE-30017014)**

| Symbol No.      | Part No.    | Part Name | Description |
|-----------------|-------------|-----------|-------------|
| <b>RESISTOR</b> |             |           |             |
| R1              | VE-30000689 | CF RES.   | 1/4W 3.9K J |
| R2              | VE-30000526 | CF RES.   | 1/4W 1.5K J |
| R3              | VE-30000770 | CF RES.   | 1/4W 680R J |
| R4              | VE-30000712 | CF RES.   | 1/4W 470R J |
| R5              | VE-30000622 | CF RES.   | 1/4W 270R J |

| Symbol No.   | Part No.    | Part Name     | Description |
|--------------|-------------|---------------|-------------|
| <b>DIODE</b> |             |               |             |
| D1           | VE-30001279 | LED RED/GREEN |             |

| Symbol No. | Part No.    | Part Name    | Description |
|------------|-------------|--------------|-------------|
| <b>IC</b>  |             |              |             |
| IC1        | VE-30001670 | PREAMPLIFIER |             |

| Symbol No.    | Part No.    | Part Name   | Description |
|---------------|-------------|-------------|-------------|
| <b>OTHERS</b> |             |             |             |
| SW1           | VE-30002181 | SWITCH TACT | V-          |
| SW2           | VE-30002181 | SWITCH TACT | MENU        |
| SW3           | VE-30002181 | SWITCH TACT | P+          |
| SW4           | VE-30002181 | SWITCH TACT | P-          |
| SW5           | VE-30002181 | SWITCH TACT | V+          |

**FRONT AV + HEADPHONE JACK P.W. BOARD  
ASSY (VE-30016761)**

| Symbol No.      | Part No.    | Part Name | Description |
|-----------------|-------------|-----------|-------------|
| <b>RESISTOR</b> |             |           |             |
| R107            | VE-30000594 | CF RES.   | 1/4W 22K J  |
| R108            | VE-30000712 | CF RES.   | 1/4W 470R J |
| R109            | VE-30000594 | CF RES.   | 1/4W 22K J  |
| R110            | VE-30000712 | CF RES.   | 1/4W 470R J |
| R113            | VE-30000744 | CF RES.   | 1/4W 560R J |
| R114            | VE-30000744 | CF RES.   | 1/4W 560R J |
| R115            | VE-30000712 | CF RES.   | 1/4W 470R J |
| R116            | VE-30000712 | CF RES.   | 1/4W 470R J |

| Symbol No.       | Part No.    | Part Name | Description    |
|------------------|-------------|-----------|----------------|
| <b>CAPACITOR</b> |             |           |                |
| C103             | VE-30000213 | C CAP.    | 180PF 50V J CH |
| C104             | VE-30000213 | C CAP.    | 180PF 50V J CH |
| C106             | VE-30000190 | C CAP.    | 100PF 50V J CH |

| Symbol No.  | Part No.    | Part Name  | Description |
|-------------|-------------|------------|-------------|
| <b>COIL</b> |             |            |             |
| L103        | VE-30001996 | FIXED COIL | 22UH Q40 K  |
| L104        | VE-30001996 | FIXED COIL | 22UH Q40 K  |

| Symbol No.    | Part No.    | Part Name      | Description |
|---------------|-------------|----------------|-------------|
| <b>OTHERS</b> |             |                |             |
| CON102        | VE-30001893 | RCA JACK       |             |
| CON103        | VE-30001891 | RCA JACK       |             |
| CON104        | VE-30001892 | RCA JACK       |             |
| CON106        | VE-30001900 | HEADPHONE JACK |             |
| T103          | VE-30001962 | FERRITE        |             |
| T104          | VE-30001963 | FERRITE        |             |
| T107          | VE-30001963 | FERRITE        |             |

## PRINTED WIRING BOARD PARTS LIST

[ AV28BHT7EPS / AV27BH7EPB ]

## MAIN P.W. BOARD ASS'Y (VE-20084599)

| △ Symbol No.    | Part No.    | Part Name | Description   |
|-----------------|-------------|-----------|---------------|
| <b>RESISTOR</b> |             |           |               |
| R101            | VE-30000668 | SMD RES.  | 1/10W 33K J   |
| R102            | VE-30007782 | MF RES.   | 1/4W 3.9M F   |
| R103            | VE-30000855 | MF RES.   | 1/4W 1M F     |
| R104            | VE-30000668 | SMD RES.  | 1/10W 33K J   |
| R105            | VE-30000452 | CF RES.   | 1/4W 10R J    |
| R106            | VE-30000664 | SMD RES.  | 1/10W 3.3K J  |
| R107            | VE-30007019 | SMD RES.  | 1/10W 10K F   |
| R108            | VE-30007784 | MO RES.   | 5W 33K J      |
| R109            | VE-30001270 | PTC       | 9 OHM         |
| R116            | VE-30001171 | MO RES.   | 2W 4.7K J     |
| R117            | VE-30001257 | MG RES.   | 1/2W 4.7M J   |
| R118            | VE-30009036 | FUSE RES. | 1/2W 0.1R J   |
| R119            | VE-30009036 | FUSE RES. | 1/2W 0.1R J   |
| R120            | VE-30000814 | SMD RES.  | 1/10W 820R J  |
| R122            | VE-30000469 | SMD RES.  | 1/10W 1K J    |
| R123            | VE-30000469 | SMD RES.  | 1/10W 1K J    |
| R124            | VE-30000480 | SMD RES.  | 1/10W 100K J  |
| R125            | VE-30000927 | MO RES.   | 1/4W 220K J   |
| R126            | VE-30000664 | SMD RES.  | 1/10W 3.3K J  |
| R127            | VE-30000469 | SMD RES.  | 1/10W 1K J    |
| R128            | VE-30000536 | CF RES.   | 1/4W 150K J   |
| R129            | VE-30007019 | SMD RES.  | 1/10W 10K F   |
| R130            | VE-30000721 | SMD RES.  | 1/10W 4.7K J  |
| R134            | VE-30000469 | SMD RES.  | 1/10W 1K J    |
| R135            | VE-30007790 | SMD RES.  | 1/10W 4.3K F  |
| R136            | VE-30000774 | SMD RES.  | 1/10W 680R J  |
| R137            | VE-30007021 | SMD RES.  | 1/10W 1K F    |
| R138            | VE-30007786 | SMD RES.  | 1/10W 2.55K F |
| R139            | VE-30000774 | SMD RES.  | 1/10W 680R J  |
| R140            | VE-30000459 | CF RES.   | 1/4W 100R J   |
| R141            | VE-30000475 | SMD RES.  | 1/10W 10K J   |
| R142            | VE-30000475 | SMD RES.  | 1/10W 10K J   |
| R143            | VE-30007021 | SMD RES.  | 1/10W 1K F    |
| R144            | VE-30007788 | SMD RES.  | 1/10W 2.7K F  |
| R145            | VE-30000732 | SMD RES.  | 1/10W 470K J  |
| R146            | VE-30000469 | SMD RES.  | 1/10W 1K J    |
| R148            | VE-30014023 | FUSE RES. | 1/2W 0.1R J   |
| R149            | VE-30007204 | MF RES.   | 1/2W 1.5M F   |
| R150            | VE-30007783 | FUSE RES. | 1/4W 2.2R J   |
| R151            | VE-30014023 | FUSE RES. | 1/2W 0.1R J   |
| R152            | VE-30000659 | SMD RES.  | 1/10W 330R J  |
| R153            | VE-30012649 | SMD RES.  | 1/10W 150R J  |
| R154            | VE-30012984 | SMD RES.  | 1/10W 91R J   |
| R155            | VE-30000712 | CF RES.   | 1/4W 470R J   |
| R156            | VE-30001089 | MO RES.   | 2W 1R J       |
| R157            | VE-30000534 | SMD RES.  | 1/10W 15K J   |
| R158            | VE-30000475 | SMD RES.  | 1/10W 10K J   |
| R159            | VE-30000480 | SMD RES.  | 1/10W 100K J  |
| R160            | VE-30006923 | SMD RES.  | 1/10W 4.3K J  |
| R202            | VE-30007779 | MO RES.   | 5W 47R J      |
| R203            | VE-30000534 | SMD RES.  | 1/10W 15K J   |
| R205            | VE-30001004 | MF RES.   | 1/2W 0.56R J  |
| R206            | VE-30001079 | MO RES.   | 1W 100R J     |
| R210            | VE-30000583 | CF RES.   | 1/4W 220R J   |
| R211            | VE-30000721 | SMD RES.  | 1/10W 4.7K J  |
| R212            | VE-30000593 | SMD RES.  | 1/10W 2.2K J  |
| R213            | VE-30000593 | SMD RES.  | 1/10W 2.2K J  |
| R214            | VE-30000593 | SMD RES.  | 1/10W 2.2K J  |
| R215            | VE-30000721 | SMD RES.  | 1/10W 4.7K J  |
| R216            | VE-30000631 | SMD RES.  | 1/10W 2.7K J  |
| R217            | VE-30000593 | SMD RES.  | 1/10W 2.2K J  |
| R218            | VE-30000480 | SMD RES.  | 1/10W 100K J  |
| R220            | VE-30000590 | CF RES.   | 1/4W 2.2K J   |
| R225            | VE-30001086 | MO RES.   | 2W 10K J      |
| R226            | VE-30001168 | MO RES.   | 2W 470R J     |
| R227            | VE-30000469 | SMD RES.  | 1/10W 1K J    |
| R228            | VE-30000475 | SMD RES.  | 1/10W 10K J   |
| R229            | VE-30000727 | SMD RES.  | 1/10W 47K J   |
| R230            | VE-30000902 | MF RES.   | 1/4W 1.8K F   |
| R231            | VE-30001229 | FUSE RES. | 1W 2.2R J     |
| R232            | VE-30000477 | CF RES.   | 1/4W 100K J   |
| R233            | VE-30001244 | FUSE RES. | 0.47R 1/2W J  |
| R234            | VE-30009036 | FUSE RES. | 1/2W 0.1R J   |
| R235            | VE-30000668 | SMD RES.  | 1/10W 33K J   |
| R236            | VE-30000718 | CF RES.   | 1/4W 4.7K J   |
| R237            | VE-30001244 | FUSE RES. | 0.47R 1/2W J  |
| R238            | VE-30000729 | CF RES.   | 1/4W 470K J   |
| R239            | VE-30001089 | MO RES.   | 2W 1R J       |
| R240            | VE-30000469 | SMD RES.  | 1/10W 1K J    |
| R241            | VE-30000818 | SMD RES.  | 1/10W 8.2K J  |

| △ Symbol No.    | Part No.    | Part Name | Description  |
|-----------------|-------------|-----------|--------------|
| <b>RESISTOR</b> |             |           |              |
| R242            | VE-30000784 | CF RES.   | 1/4W 680K J  |
| R245            | VE-30000466 | CF RES.   | 1/4W 1K J    |
| R246            | VE-30000752 | CF RES.   | 1/4W 56K J   |
| R250            | VE-30000477 | CF RES.   | 1/4W 100K J  |
| R251            | VE-30000477 | CF RES.   | 1/4W 100K J  |
| R252            | VE-30007789 | SMD RES.  | 1/10W 27K F  |
| R254            | VE-30000636 | SMD RES.  | 1/10W 27K J  |
| R255            | VE-30001134 | MO RES.   | 2W 2.2R J    |
| R256            | VE-30001100 | MO RES.   | 1W 150R J    |
| R257            | VE-30001173 | MO RES.   | 1W 0.47R J   |
| R260            | VE-30000778 | SMD RES.  | 1/10W 6.8K J |
| R261            | VE-30000778 | SMD RES.  | 1/10W 6.8K J |
| R262            | VE-30001237 | FUSE RES. | 1/2W 3.3R J  |
| R264            | VE-30001077 | MO RES.   | 2W 10R J     |
| R270            | VE-30000541 | CF RES.   | 1/4W 1.5M J  |
| R271            | VE-30000744 | CF RES.   | 1/4W 560R J  |
| R272            | VE-30000475 | SMD RES.  | 1/10W 10K J  |
| R280            | VE-30000480 | SMD RES.  | 1/10W 100K J |
| R281            | VE-30000480 | SMD RES.  | 1/10W 100K J |
| R318            | VE-30000469 | SMD RES.  | 1/10W 1K J   |
| R322            | VE-30000594 | CF RES.   | 1/4W 22K J   |
| R323            | VE-30000459 | CF RES.   | 1/4W 100R J  |
| R324            | VE-30000464 | SMD RES.  | 1/10W 100R J |
| R327            | VE-30000464 | SMD RES.  | 1/10W 100R J |
| R360            | VE-30000659 | SMD RES.  | 1/10W 330R J |
| R361            | VE-30000659 | SMD RES.  | 1/10W 330R J |
| R362            | VE-30000659 | SMD RES.  | 1/10W 330R J |
| R363            | VE-30000659 | SMD RES.  | 1/10W 330R J |
| R364            | VE-30000659 | SMD RES.  | 1/10W 330R J |
| R365            | VE-30000659 | SMD RES.  | 1/10W 330R J |
| R366            | VE-30000659 | SMD RES.  | 1/10W 330R J |
| R367            | VE-30000659 | SMD RES.  | 1/10W 330R J |
| R368            | VE-30000659 | SMD RES.  | 1/10W 330R J |
| R369            | VE-30000659 | SMD RES.  | 1/10W 330R J |
| R370            | VE-30000659 | SMD RES.  | 1/10W 330R J |
| R371            | VE-30000659 | SMD RES.  | 1/10W 330R J |
| R372            | VE-30000659 | SMD RES.  | 1/10W 330R J |
| R373            | VE-30000659 | SMD RES.  | 1/10W 330R J |
| R374            | VE-30000659 | SMD RES.  | 1/10W 330R J |
| R375            | VE-30000659 | SMD RES.  | 1/10W 330R J |
| R376            | VE-30000659 | SMD RES.  | 1/10W 330R J |
| R378            | VE-30000659 | SMD RES.  | 1/10W 330R J |
| R379            | VE-30000659 | SMD RES.  | 1/10W 330R J |
| R380            | VE-30000659 | SMD RES.  | 1/10W 330R J |
| R381            | VE-30000659 | SMD RES.  | 1/10W 330R J |
| R382            | VE-30000659 | SMD RES.  | 1/10W 330R J |
| R383            | VE-30000659 | SMD RES.  | 1/10W 330R J |
| R384            | VE-30000659 | SMD RES.  | 1/10W 330R J |
| R385            | VE-30000659 | SMD RES.  | 1/10W 330R J |
| R397            | VE-30000659 | SMD RES.  | 1/10W 330R J |
| R398            | VE-30000659 | SMD RES.  | 1/10W 330R J |
| R401            | VE-30000665 | CF RES.   | 1/4W 33K J   |
| R403            | VE-30000668 | SMD RES.  | 1/10W 33K J  |
| R411            | VE-30000747 | SMD RES.  | 1/10W 560R J |
| R412            | VE-30000721 | SMD RES.  | 1/10W 4.7K J |
| R413            | VE-30000475 | SMD RES.  | 1/10W 10K J  |
| R414            | VE-30000469 | SMD RES.  | 1/10W 1K J   |
| R415            | VE-30000517 | SMD RES.  | 1/10W 15R J  |
| R416            | VE-30000717 | SMD RES.  | 1/10W 470R J |
| R417            | VE-30000778 | SMD RES.  | 1/10W 6.8K J |
| R418            | VE-30000593 | SMD RES.  | 1/10W 2.2K J |
| R421            | VE-30000563 | SMD RES.  | 1/10W 1.8K J |
| R422            | VE-30000464 | SMD RES.  | 1/10W 100R J |
| R424            | VE-30007021 | SMD RES.  | 1/10W 1K F   |
| R425            | VE-30000797 | SMD RES.  | 1/10W 75R J  |
| R428            | VE-30000475 | SMD RES.  | 1/10W 10K J  |
| R429            | VE-30000475 | SMD RES.  | 1/10W 10K J  |
| R432            | VE-30000787 | SMD RES.  | 1/10W 680K J |
| R436            | VE-30000735 | SMD RES.  | 1/10W 4.7R J |
| R437            | VE-30000499 | SMD RES.  | 1/10W 1.2K J |
| R438            | VE-30000655 | CF RES.   | 1/4W 330R J  |
| R439            | VE-30000563 | SMD RES.  | 1/10W 1.8K J |
| R440            | VE-30000614 | SMD RES.  | 1/10W 2.4K J |
| R441            | VE-30000475 | SMD RES.  | 1/10W 10K J  |
| R445            | VE-30000814 | SMD RES.  | 1/10W 820R J |
| R446            | VE-30000469 | SMD RES.  | 1/10W 1K J   |
| R447            | VE-30000469 | SMD RES.  | 1/10W 1K J   |
| R475            | VE-30000524 | SMD RES.  | 1/10W 150R J |
| R480            | VE-30000718 | CF RES.   | 1/4W 4.7K J  |
| R490            | VE-30000466 | CF RES.   | 1/4W 1K J    |

## [ AV28BHT7EPS / AV27BH7EPB ]

| △ Symbol No.    | Part No.    | Part Name | Description  |
|-----------------|-------------|-----------|--------------|
| <b>RESISTOR</b> |             |           |              |
| R492            | VE-30000503 | SMD RES.  | 1/10W 12K J  |
| R506            | VE-30012695 | SMD RES.  | 1/16W 470R J |
| R509            | VE-30000797 | SMD RES.  | 1/10W 75R J  |
| R510            | VE-30007021 | SMD RES.  | 1/10W 1K F   |
| R511            | VE-30000464 | SMD RES.  | 1/10W 100R J |
| R512            | VE-30000464 | SMD RES.  | 1/10W 100R J |
| R513            | VE-30000457 | SMD RES.  | 1/10W 10R J  |
| R516            | VE-30000664 | SMD RES.  | 1/10W 3.3K J |
| R517            | VE-30000664 | SMD RES.  | 1/10W 3.3K J |
| R518            | VE-30000735 | SMD RES.  | 1/10W 4.7R J |
| R801            | VE-30000718 | CF RES.   | 1/4W 4.7K J  |
| R802            | VE-30000718 | CF RES.   | 1/4W 4.7K J  |
| R803            | VE-30000628 | CF RES.   | 1/4W 2.7K J  |
| R804            | VE-30000475 | SMD RES.  | 1/10W 10K J  |
| R805            | VE-30000534 | SMD RES.  | 1/10W 15K J  |
| R806            | VE-30000531 | CF RES.   | 1/4W 15K J   |
| R807            | VE-30000567 | SMD RES.  | 1/10W 18K J  |
| R808            | VE-30000734 | CF RES.   | 1/4W 4.7R J  |
| R809            | VE-30000717 | SMD RES.  | 1/10W 470R J |
| R810            | VE-30000564 | CF RES.   | 1/4W 18K J   |
| R811            | VE-30000717 | SMD RES.  | 1/10W 470R J |
| R812            | VE-30000734 | CF RES.   | 1/4W 4.7R J  |
| R813            | VE-30000475 | SMD RES.  | 1/10W 10K J  |
| R819            | VE-30000734 | CF RES.   | 1/4W 4.7R J  |
| R820            | VE-30000734 | CF RES.   | 1/4W 4.7R J  |
| R900            | VE-30012641 | SMD RES.  | 1/16W 10K J  |
| R901            | VE-30012641 | SMD RES.  | 1/16W 10K J  |
| R902            | VE-30012641 | SMD RES.  | 1/16W 10K J  |
| R903            | VE-30000718 | CF RES.   | 1/4W 4.7K J  |
| R904            | VE-30000718 | CF RES.   | 1/4W 4.7K J  |
| R905            | VE-30000723 | CF RES.   | 1/4W 47K J   |
| R906            | VE-30012696 | SMD RES.  | 1/16W 47K J  |
| R907            | VE-30012679 | SMD RES.  | 1/16W 3.9K J |
| R908            | VE-30012679 | SMD RES.  | 1/16W 3.9K J |
| R909            | VE-30000531 | CF RES.   | 1/4W 15K J   |
| R910            | VE-30000531 | CF RES.   | 1/4W 15K J   |
| R911            | VE-30012641 | SMD RES.  | 1/16W 10K J  |
| R912            | VE-30000471 | CF RES.   | 1/4W 10K J   |
| R913            | VE-30012641 | SMD RES.  | 1/16W 10K J  |
| R914            | VE-30000471 | CF RES.   | 1/4W 10K J   |
| R915            | VE-30000471 | CF RES.   | 1/4W 10K J   |
| R916            | VE-30012695 | SMD RES.  | 1/16W 470R J |
| R917            | VE-30012987 | SMD RES.  | 1/16W 56R J  |
| R918            | VE-30012692 | SMD RES.  | 1/16W 4.7K J |
| R919            | VE-30012657 | SMD RES.  | 1/16W 1K J   |
| R920            | VE-30012657 | SMD RES.  | 1/16W 1K J   |
| R921            | VE-30012657 | SMD RES.  | 1/16W 1K J   |
| R922            | VE-30012657 | SMD RES.  | 1/16W 1K J   |
| R923            | VE-30012657 | SMD RES.  | 1/16W 1K J   |
| R924            | VE-30012696 | SMD RES.  | 1/16W 47K J  |
| R925            | VE-30012696 | SMD RES.  | 1/16W 47K J  |
| R926            | VE-30012696 | SMD RES.  | 1/16W 47K J  |
| R927            | VE-30012696 | SMD RES.  | 1/16W 47K J  |
| R928            | VE-30012510 | SMD RES.  | 1/16W 100R J |
| R929            | VE-30012510 | SMD RES.  | 1/16W 100R J |
| R930            | VE-30012641 | SMD RES.  | 1/16W 10K J  |
| R931            | VE-30012641 | SMD RES.  | 1/16W 10K J  |
| R932            | VE-30012641 | SMD RES.  | 1/16W 10K J  |
| R933            | VE-30000718 | CF RES.   | 1/4W 4.7K J  |
| R934            | VE-30012692 | SMD RES.  | 1/16W 4.7K J |
| R935            | VE-30012662 | SMD RES.  | 1/16W 2.7K J |
| R936            | VE-30000718 | CF RES.   | 1/4W 4.7K J  |
| R937            | VE-30000459 | CF RES.   | 1/4W 100R J  |
| R938            | VE-30012509 | SMD RES.  | 1/16W 100K J |
| R939            | VE-30012692 | SMD RES.  | 1/16W 4.7K J |
| R940            | VE-30000500 | CF RES.   | 1/4W 12K J   |
| R941            | VE-30000588 | SMD RES.  | 1/10W 220R J |
| R942            | VE-30000588 | SMD RES.  | 1/10W 220R J |
| R943            | VE-30000471 | CF RES.   | 1/4W 10K J   |
| R944            | VE-30012641 | SMD RES.  | 1/16W 10K J  |
| R945            | VE-30000471 | CF RES.   | 1/4W 10K J   |
| R946            | VE-30012657 | SMD RES.  | 1/16W 1K J   |
| R950            | VE-30012657 | SMD RES.  | 1/16W 1K J   |
| R951            | VE-30012657 | SMD RES.  | 1/16W 1K J   |
| R952            | VE-30012657 | SMD RES.  | 1/16W 1K J   |
| R953            | VE-30000466 | CF RES.   | 1/4W 1K J    |
| R955            | VE-30012657 | SMD RES.  | 1/16W 1K J   |
| R956            | VE-30012510 | SMD RES.  | 1/16W 100R J |
| R957            | VE-30012655 | SMD RES.  | 1/16W 180R J |
| R958            | VE-30014022 | SMD RES.  | 1/16W 47R J  |
| R959            | VE-30000466 | CF RES.   | 1/4W 1K J    |
| R960            | VE-30000471 | CF RES.   | 1/4W 10K J   |
| R961            | VE-30000718 | CF RES.   | 1/4W 4.7K J  |
| R964            | VE-30012641 | SMD RES.  | 1/16W 10K J  |

| △ Symbol No. | Part No.    | Part Name | Description |
|--------------|-------------|-----------|-------------|
| R965         | VE-30012657 | SMD RES.  | 1/16W 1K J  |
| R966         | VE-30012641 | SMD RES.  | 1/16W 10K J |

**CAPACITOR**

|        |             |          |                  |
|--------|-------------|----------|------------------|
| C100   | VE-30000098 | MKT CAP. | 3.3NF 63V J      |
| C101   | VE-30000371 | EL CAP.  | 22UF 50V M       |
| C102   | VE-30000294 | SMD CAP. | 100NF 50V K      |
| C103   | VE-30000294 | SMD CAP. | 100NF 50V K      |
| C104   | VE-30012323 | MKT CAP. | 1NF 100V J       |
| C105   | VE-30000284 | SMD CAP. | 1NF 50V K R      |
| C106   | VE-30000332 | SMD CAP. | 4.7NF 50V K      |
| C107   | VE-30000263 | SMD CAP. | 56PF 50V J       |
| C108   | VE-30000123 | PP CAP.  | 33NF 630V K      |
| C109   | VE-30000159 | MKT CAP. | 4.7NF 1.6KV J    |
| C110   | VE-30009208 | C CAP.   | 470PF 1KV K      |
| C111   | VE-30000131 | MKT CAP. | 100NF 250V J     |
| △ C112 | VE-30000094 | MKT CAP. | 220NF AC275V M   |
| C114   | VE-30000353 | EL CAP.  | 100UF 25V M      |
| △ C115 | VE-30007858 | MKT CAP. | 470NF AC275V M   |
| △ C118 | VE-30007755 | MKT CAP. | 680NF AC275V M   |
| C119   | VE-30007754 | MKT CAP. | 1UF 400V         |
| C120   | VE-30007753 | MKT CAP. | 1NF 1KV          |
| C121   | VE-30013690 | EL CAP.  | 220UF 450V M     |
| △ C122 | VE-30000447 | C CAP.   | 4.7NF 4KV M E    |
| C124   | VE-30000315 | SMD CAP. | 220NF 25V Z      |
| C125   | VE-30000315 | SMD CAP. | 220NF 25V Z      |
| C130   | VE-30007708 | C CAP.   | 1NF 1KV K        |
| C131   | VE-30006909 | EL CAP.  | 100UF M 250V     |
| C132   | VE-30007750 | EL CAP.  | 470UF 35V        |
| C133   | VE-30000409 | EL CAP.  | 470UF 25V M      |
| C134   | VE-30007750 | EL CAP.  | 470UF 35V        |
| C135   | VE-30007748 | EL CAP.  | 1000UF 35V M     |
| C136   | VE-30007748 | EL CAP.  | 1000UF 35V M     |
| C137   | VE-30000284 | SMD CAP. | 1NF 50V K R      |
| C138   | VE-30000224 | SMD CAP. | 220PF 50V J      |
| C139   | VE-30000284 | SMD CAP. | 1NF 50V K R      |
| C140   | VE-30000360 | EL CAP.  | 1000UF 25V M     |
| C141   | VE-30000352 | EL CAP.  | 100UF 16V M      |
| C142   | VE-30000294 | SMD CAP. | 100NF 50V K      |
| C143   | VE-30000294 | SMD CAP. | 100NF 50V K      |
| C144   | VE-30000352 | EL CAP.  | 100UF 16V M      |
| C145   | VE-30000309 | SMD CAP. | 2.2NF 50V K R    |
| C146   | VE-30000359 | EL CAP.  | 1000UF 16V M     |
| C147   | VE-30000359 | EL CAP.  | 1000UF 16V M     |
| C148   | VE-30000294 | SMD CAP. | 100NF 50V K      |
| C149   | VE-30000294 | SMD CAP. | 100NF 50V K      |
| C150   | VE-30000352 | EL CAP.  | 100UF 16V M      |
| C151   | VE-30000284 | SMD CAP. | 1NF 50V K R      |
| C160   | VE-30007081 | EL CAP.  | 4.7UF 50V M      |
| C161   | VE-30007308 | C CAP.   | 220PF 1KV K      |
| C162   | VE-30007308 | C CAP.   | 220PF 1KV K      |
| C163   | VE-30009208 | C CAP.   | 470PF 1KV K      |
| C165   | VE-30016654 | SMD CAP. | 100NF 16V K R    |
| C166   | VE-30000400 | EL CAP.  | 47UF 50V M       |
| C167   | VE-30009208 | C CAP.   | 470PF 1KV K      |
| C168   | VE-30000294 | SMD CAP. | 100NF 50V K      |
| C170   | VE-30000352 | EL CAP.  | 100UF 16V M      |
| C171   | VE-30000352 | EL CAP.  | 100UF 16V M      |
| C172   | VE-30016654 | SMD CAP. | 100NF 16V K R    |
| C173   | VE-30000315 | SMD CAP. | 220NF 25V Z      |
| C201   | VE-30000360 | EL CAP.  | 1000UF 25V M     |
| C202   | VE-30000106 | MKT CAP. | 47NF 100V J      |
| C203   | VE-30000099 | MKT CAP. | 33NF 63V J       |
| C204   | VE-30000345 | EL CAP.  | 10UF 50V M       |
| C206   | VE-30000315 | SMD CAP. | 220NF 25V Z      |
| C207   | VE-30000362 | EL CAP.  | 1UF 50V M        |
| C208   | VE-30000415 | EL CAP.  | 4.7UF 250V M     |
| C209   | VE-30000224 | SMD CAP. | 220PF 50V J      |
| C210   | VE-30000149 | MKT CAP. | 2.7NF 2KV 3.5%   |
| C211   | VE-30000179 | MKT CAP. | 9.1NF 1600V 3.5% |
| C212   | VE-30000137 | MKT CAP. | 15NF 630V J      |
| C213   | VE-30007215 | MKT CAP. | 1.2UF 250V J     |
| C214   | VE-30000415 | EL CAP.  | 4.7UF 250V M     |
| C215   | VE-30000166 | MKT CAP. | 560NF 250V J     |
| C216   | VE-30000415 | EL CAP.  | 4.7UF 250V M     |
| C222   | VE-30000431 | C CAP.   | 100PF 1KV M      |
| C223   | VE-30000351 | EL CAP.  | 10UF 350V M      |
| C225   | VE-30000359 | EL CAP.  | 1000UF 16V M     |
| C226   | VE-30000356 | EL CAP.  | 100UF 63V M      |
| C228   | VE-30000360 | EL CAP.  | 1000UF 25V M     |
| C232   | VE-30000225 | C CAP.   | 220PF 50V J SL   |
| C240   | VE-30000400 | EL CAP.  | 47UF 50V M       |

[ AV28BHT7EPS / AV27BH7EPB ]

| Symbol No.       | Part No.    | Part Name | Description   |
|------------------|-------------|-----------|---------------|
| <b>CAPACITOR</b> |             |           |               |
| C250             | VE-30000304 | SMD CAP.  | 1.8NF 50V K R |
| C251             | VE-30000359 | EL CAP.   | 1000UF 16V M  |
| C252             | VE-30000289 | SMD CAP.  | 10NF 50V K R  |
| C253             | VE-30000294 | SMD CAP.  | 100NF 50V K   |
| C254             | VE-30000360 | EL CAP.   | 1000UF 25V M  |
| C255             | VE-30000294 | SMD CAP.  | 100NF 50V K   |
| C256             | VE-30000092 | MKT CAP.  | 220NF 63V J   |
| C257             | VE-30000304 | SMD CAP.  | 1.8NF 50V K R |
| C258             | VE-30000322 | SMD CAP.  | 3.3NF 50V K   |
| C305             | VE-30000294 | SMD CAP.  | 100NF 50V K   |
| C313             | VE-30000189 | SMD CAP.  | 100PF 50V J   |
| C321             | VE-30000352 | EL CAP.   | 100UF 16V M   |
| C322             | VE-30000352 | EL CAP.   | 100UF 16V M   |
| C324             | VE-30000294 | SMD CAP.  | 100NF 50V K   |
| C333             | VE-30000294 | SMD CAP.  | 100NF 50V K   |
| C402             | VE-30000345 | EL CAP.   | 10UF 50V M    |
| C403             | VE-30000384 | EL CAP.   | 2.2UF 50V M   |
| C404             | VE-30000284 | SMD CAP.  | 1NF 50V K R   |
| C405             | VE-30000284 | SMD CAP.  | 1NF 50V K R   |
| C406             | VE-30000224 | SMD CAP.  | 220PF 50V J   |
| C407             | VE-30000312 | SMD CAP.  | 22NF 50V K    |
| C408             | VE-30000371 | EL CAP.   | 22UF 50V M    |
| C409             | VE-30000294 | SMD CAP.  | 100NF 50V K   |
| C410             | VE-30000294 | SMD CAP.  | 100NF 50V K   |
| C411             | VE-30000109 | MKT CAP.  | 470NF 63V J   |
| C412             | VE-30000384 | EL CAP.   | 2.2UF 50V M   |
| C413             | VE-30000294 | SMD CAP.  | 100NF 50V K   |
| C414             | VE-30000294 | SMD CAP.  | 100NF 50V K   |
| C417             | VE-30000294 | SMD CAP.  | 100NF 50V K   |
| C418             | VE-30000294 | SMD CAP.  | 100NF 50V K   |
| C419             | VE-30000294 | SMD CAP.  | 100NF 50V K   |
| C424             | VE-30000387 | EL CAP.   | 33UF 50V M    |
| C427             | VE-30000294 | SMD CAP.  | 100NF 50V K   |
| C428             | VE-30000294 | SMD CAP.  | 100NF 50V K   |
| C430             | VE-30000294 | SMD CAP.  | 100NF 50V K   |
| C440             | VE-30000400 | EL CAP.   | 47UF 50V M    |
| C441             | VE-30000220 | SMD CAP.  | 22PF 50V J    |
| C442             | VE-30000294 | SMD CAP.  | 100NF 50V K   |
| C443             | VE-30013411 | SMD CAP.  | 180PF 50V J   |
| C450             | VE-30000345 | EL CAP.   | 10UF 50V M    |
| C451             | VE-30000294 | SMD CAP.  | 100NF 50V K   |
| C453             | VE-30000355 | EL CAP.   | 100UF 50V M   |
| C454             | VE-30000294 | SMD CAP.  | 100NF 50V K   |
| C456             | VE-30000352 | EL CAP.   | 100UF 16V M   |
| C457             | VE-30000294 | SMD CAP.  | 100NF 50V K   |
| C468             | VE-30000294 | SMD CAP.  | 100NF 50V K   |
| C478             | VE-30000294 | SMD CAP.  | 100NF 50V K   |
| C479             | VE-30000362 | EL CAP.   | 1UF 50V M     |
| C492             | VE-30000294 | SMD CAP.  | 100NF 50V K   |
| C493             | VE-30000384 | EL CAP.   | 2.2UF 50V M   |
| C494             | VE-30000345 | EL CAP.   | 10UF 50V M    |
| C496             | VE-30000413 | EL CAP.   | 4.7UF 50V M   |
| C497             | VE-30000294 | SMD CAP.  | 100NF 50V K   |
| C498             | VE-30000294 | SMD CAP.  | 100NF 50V K   |
| C499             | VE-30000362 | EL CAP.   | 1UF 50V M     |
| C500             | VE-30000352 | EL CAP.   | 100UF 16V M   |
| C505             | VE-30000294 | SMD CAP.  | 100NF 50V K   |
| C506             | VE-30000345 | EL CAP.   | 10UF 50V M    |
| C509             | VE-30000186 | SMD CAP.  | 10PF 50V D    |
| C510             | VE-30000186 | SMD CAP.  | 10PF 50V D    |
| C511             | VE-30000341 | SMD CAP.  | 68NF 50V K    |
| C610             | VE-30000074 | MKT CAP.  | 100NF 63V J   |
| C801             | VE-30000362 | EL CAP.   | 1UF 50V M     |
| C802             | VE-30000362 | EL CAP.   | 1UF 50V M     |
| C803             | VE-30000362 | EL CAP.   | 1UF 50V M     |
| C804             | VE-30000409 | SMD CAP.  | 470UF 25V M   |
| C805             | VE-30000294 | SMD CAP.  | 100NF 50V K   |
| C806             | VE-30000409 | EL CAP.   | 470UF 25V M   |
| C807             | VE-30000294 | SMD CAP.  | 100NF 50V K   |
| C808             | VE-30000074 | MKT CAP.  | 100NF 63V J   |
| C809             | VE-30000074 | MKT CAP.  | 100NF 63V J   |
| C819             | VE-30000309 | SMD CAP.  | 2.2NF 50V K R |
| C820             | VE-30000309 | SMD CAP.  | 2.2NF 50V K R |
| C821             | VE-30000309 | SMD CAP.  | 2.2NF 50V K R |
| C822             | VE-30000309 | SMD CAP.  | 2.2NF 50V K R |
| C900             | VE-30000371 | EL CAP.   | 22UF 50V M    |
| C901             | VE-30016654 | SMD CAP.  | 100NF 16V K R |
| C902             | VE-30016654 | SMD CAP.  | 100NF 16V K R |
| C903             | VE-30016654 | SMD CAP.  | 100NF 16V K R |
| C904             | VE-30000074 | MKT CAP.  | 100NF 63V J   |
| C905             | VE-30000371 | EL CAP.   | 22UF 50V M    |
| C906             | VE-30016654 | SMD CAP.  | 100NF 16V K R |
| C907             | VE-30000074 | MKT CAP.  | 100NF 63V J   |
| C908             | VE-30016654 | SMD CAP.  | 100NF 16V K R |

| Symbol No.       | Part No.    | Part Name              | Description    |
|------------------|-------------|------------------------|----------------|
| <b>CAPACITOR</b> |             |                        |                |
| C909             | VE-30016654 | SMD CAP.               | 100NF 16V K R  |
| C910             | VE-30016654 | SMD CAP.               | 100NF 16V K R  |
| C911             | VE-30000352 | EL CAP.                | 100UF 16V M    |
| C912             | VE-30012569 | SMD CAP.               | 33PF 50V J     |
| C913             | VE-30012569 | SMD CAP.               | 33PF 50V J     |
| C914             | VE-30000371 | EL CAP.                | 22UF 50V M     |
| C915             | VE-30016654 | SMD CAP.               | 100NF 16V K R  |
| C916             | VE-30016654 | SMD CAP.               | 100NF 16V K R  |
| C917             | VE-30016654 | SMD CAP.               | 100NF 16V K R  |
| C918             | VE-30016654 | SMD CAP.               | 100NF 16V K R  |
| C919             | VE-30000375 | EL CAP.                | 220UF 16V M    |
| C920             | VE-30000384 | EL CAP.                | 2.2UF 50V M    |
| C921             | VE-30016654 | SMD CAP.               | 100NF 16V K R  |
| C926             | VE-30016654 | SMD CAP.               | 100NF 16V K R  |
| C927             | VE-30016654 | SMD CAP.               | 100NF 16V K R  |
| C930             | VE-30000345 | EL CAP.                | 10UF 50V M     |
| C931             | VE-30000257 | C CAP.                 | 470PF 50V J SL |
| C932             | VE-30016654 | SMD CAP.               | 100NF 16V K R  |
| C933             | VE-30000294 | SMD CAP.               | 100NF 50V K    |
| <b>TRANSF</b>    |             |                        |                |
| TR101            | VE-30016819 | SMPS TRF               |                |
| TR201            | VE-30006743 | TRF. HORIZONTAL DRIVER |                |
| TR202            | VE-30016922 | FBT TRF                |                |
| <b>COIL</b>      |             |                        |                |
| L101             | VE-30006712 | FERRITE BEAD           |                |
| L102             | VE-30007775 | PFC COIL               | 1MH 1KHZ 2A    |
| L103             | VE-30006744 | LINE FILTER            | 16MH           |
| L104             | VE-30006744 | LINE FILTER            | 16MH           |
| L106             | VE-30006712 | FERRITE BEAD           |                |
| L107             | VE-30001960 | FERIT BAR              |                |
| L108             | VE-30001960 | FERIT BAR              |                |
| L109             | VE-30001960 | FERIT BAR              |                |
| L201             | VE-30007771 | FIXED COIL             | 100UH          |
| L202             | VE-30007757 | COIL INJECTION EW      | 6MH            |
| L203             | VE-30007770 | FILTER COIL            | 1MH            |
| L204             | VE-30012271 | LINEARTY COIL          | 4.3UH          |
| L205             | VE-30007756 | BRIDGE COIL            | 150UH 32KHZ    |
| L206             | VE-30006712 | FERRITE BEAD           |                |
| L207             | VE-30006712 | FERRITE BEAD           |                |
| L304             | VE-30001992 | FIXED COIL             | 10UH Q65 K-A   |
| L401             | VE-30001986 | FIXED COIL             | 3.3UH Q65 K    |
| L403             | VE-30001979 | FIXED COIL             | 1UH Q45 M-A    |
| L405             | VE-30001987 | FIXED COIL             | 4.7UH Q70 K-A  |
| L420             | VE-30001996 | FIXED COIL             | 22UH Q40 K     |
| L421             | VE-30001992 | FIXED COIL             | 10UH Q65 K-A   |
| L422             | VE-30001994 | FIXED COIL             | 22UH J AXIAL   |
| L423             | VE-30001994 | FIXED COIL             | 22UH J AXIAL   |
| L425             | VE-30001971 | FERRITE BEAD           |                |
| L801             | VE-30002170 | COIL FTZ/RAD           |                |
| L802             | VE-30002170 | COIL FTZ/RAD           |                |
| L900             | VE-30001992 | FIXED COIL             | 10UH Q65 K-A   |
| L901             | VE-30001992 | FIXED COIL             | 10UH Q65 K-A   |
| L902             | VE-30001992 | FIXED COIL             | 10UH Q65 K-A   |
| L903             | VE-30001992 | FIXED COIL             | 10UH Q65 K-A   |
| L904             | VE-30001987 | FIXED COIL             | 4.7UH Q70 K-A  |
| L905             | VE-30001984 | FIXED COIL             | 2.2UH Q55 M-AX |
| L906             | VE-30002171 | CHOKE PEAKING COIL     | 22UH K         |
| <b>DIODE</b>     |             |                        |                |
| D101             | VE-30001285 | DIODE                  |                |
| D102             | VE-30001291 | DIODE                  |                |
| D103             | VE-30007768 | DIODE                  |                |
| D104             | VE-30007768 | DIODE                  |                |
| D105             | VE-30007768 | DIODE                  |                |
| D106             | VE-30007758 | BRIDGE DIODE           |                |
| D108             | VE-30001318 | DIODE                  |                |
| D109             | VE-30009699 | ZENER DIODE            |                |
| D110             | VE-20063054 | DIODE                  |                |
| D111             | VE-30001299 | DIODE                  |                |
| D112             | VE-30001302 | DIODE                  |                |
| D113             | VE-30001302 | DIODE                  |                |
| D114             | VE-30001302 | DIODE                  |                |
| D115             | VE-30001285 | DIODE                  |                |
| D116             | VE-30007760 | ZENER DIODE            |                |
| D117             | VE-30001285 | DIODE                  |                |
| D118             | VE-30007760 | ZENER DIODE            |                |

[ AV28BHT7EPS / AV27BH7EPB ]

| Symbol No.   | Part No.    | Part Name   | Description |
|--------------|-------------|-------------|-------------|
| <b>DIODE</b> |             |             |             |
| D119         | VE-30001284 | DIODE       |             |
| D120         | VE-30001291 | DIODE       |             |
| D121         | VE-30001318 | DIODE       |             |
| D122         | VE-30001318 | DIODE       |             |
| D123         | VE-30001285 | DIODE       |             |
| D126         | VE-30001284 | DIODE       |             |
| D127         | VE-30001284 | DIODE       |             |
| D128         | VE-30001284 | DIODE       |             |
| D201         | VE-30001291 | DIODE       |             |
| D202         | VE-30001285 | DIODE       |             |
| D203         | VE-30007760 | ZENER DIODE |             |
| D205         | VE-30007763 | ZENER DIODE |             |
| D206         | VE-30007678 | DIODE GUC   |             |
| D207         | VE-30007768 | DIODE       |             |
| D208         | VE-30001291 | DIODE       |             |
| D209         | VE-30001291 | DIODE       |             |
| D210         | VE-30001299 | DIODE       |             |
| D211         | VE-30001299 | DIODE       |             |
| D212         | VE-30001291 | DIODE       |             |
| D213         | VE-30001291 | DIODE       |             |
| D214         | VE-30007763 | ZENER DIODE |             |
| D215         | VE-30007762 | ZENER DIODE |             |
| D216         | VE-30001285 | DIODE       |             |
| D218         | VE-30001291 | DIODE       |             |
| D219         | VE-30001291 | DIODE       |             |
| D220         | VE-30001284 | DIODE       |             |
| D221         | VE-30001284 | DIODE       |             |
| D222         | VE-30001284 | DIODE       |             |
| D223         | VE-30001285 | DIODE       |             |
| D224         | VE-30001285 | DIODE       |             |
| D225         | VE-30001318 | DIODE       |             |
| D401         | VE-30001285 | DIODE       |             |
| D402         | VE-30001285 | DIODE       |             |
| D403         | VE-30001285 | DIODE       |             |
| D900         | VE-30012412 | ZENER DIODE |             |
| D901         | VE-30007761 | ZENER DIODE |             |

**TRANSISTOR**

|      |             |    |
|------|-------------|----|
| Q101 | VE-30007801 | TR |
| Q103 | VE-30007802 | TR |
| Q104 | VE-30007798 | TR |
| Q105 | VE-30007798 | TR |
| Q106 | VE-30007802 | TR |
| Q107 | VE-30007798 | TR |
| Q108 | VE-30007798 | TR |
| Q109 | VE-30001457 | TR |
| Q110 | VE-30001457 | TR |
| Q112 | VE-30001454 | TR |
| Q113 | VE-30001428 | TR |
| Q201 | VE-30007802 | TR |
| Q202 | VE-30016686 | TR |
| Q203 | VE-30001458 | TR |
| Q204 | VE-30001458 | TR |
| Q205 | VE-30007799 | TR |
| Q206 | VE-30001457 | TR |
| Q207 | VE-30001457 | TR |
| Q208 | VE-30001455 | TR |
| Q401 | VE-30001457 | TR |
| Q403 | VE-30001457 | TR |
| Q405 | VE-30001457 | TR |
| Q406 | VE-30001457 | TR |
| Q408 | VE-30007800 | TR |
| Q415 | VE-30001457 | TR |
| Q801 | VE-30001457 | TR |
| Q802 | VE-30001457 | TR |
| Q900 | VE-30001458 | TR |
| Q901 | VE-30001457 | TR |
| Q902 | VE-30001457 | TR |
| Q903 | VE-30001457 | TR |
| Q904 | VE-30001457 | TR |
| Q905 | VE-30001457 | TR |
| Q906 | VE-30001457 | TR |
| Q907 | VE-30001457 | TR |
| Q908 | VE-30001457 | TR |
| Q909 | VE-30001458 | TR |
| Q910 | VE-30001457 | TR |
| Q911 | VE-30001457 | TR |

**IC**

|       |             |    |
|-------|-------------|----|
| IC101 | VE-30007442 | IC |
| IC102 | VE-30015087 | IC |

| Symbol No. | Part No.    | Part Name  | Description |
|------------|-------------|------------|-------------|
| <b>IC</b>  |             |            |             |
| IC108      | VE-30001506 | IC         |             |
| IC104      | VE-30007444 | IC         |             |
| IC105      | VE-30001500 | IC         |             |
| IC106      | VE-30001668 | IC         |             |
| IC201      | VE-30007793 | IC         |             |
| IC202      | VE-30001506 | IC         |             |
| IC302      | VE-30015382 | IC(MEMORY) |             |
| IC304      | VE-30016491 | IC         |             |
| IC401      | VE-30001494 | IC         |             |
| IC801      | VE-30007794 | IC         |             |
| IC802      | VE-30007794 | IC         |             |
| IC900      | VE-30013571 | IC(MYCOM)  |             |

**OTHERS**

|       |             |              |                     |
|-------|-------------|--------------|---------------------|
| F101  | VE-20000849 | FUSE ASSY    | 3.15A               |
| F102  | VE-30009037 | FUSE         | 6.3A                |
| F103  | VE-30009037 | FUSE         | 6.3A                |
| RL2   | VE-30002183 | RELAY        |                     |
| S133  | VE-30000575 | SMD RES.     | 1/10W 2K J          |
| T401  | VE-30001724 | SER FILTER   |                     |
| T402  | VE-30001726 | SER FILTER   |                     |
| TU401 | VE-30009637 | TUNER        |                     |
| VL401 | VE-30002036 | ADJ COIL VIF |                     |
| VR127 | VE-30001041 | ADJ RES.     | 0.15W 1K M VER      |
| VR401 | VE-30001069 | ADJ RES.     | 0.15W 47K VER (MAN) |
| X900  | VE-30006662 | XTAL         | 6MHZ                |
| Z401  | VE-30001706 | SAW FILTER   |                     |
| Z403  | VE-30001692 | SAW FILTER   |                     |

**MULTISOUND P.W. BOARD ASS'Y (VE-30017302)**

Refer to PARTS LIST in page 27 for this P.W. board.

**FEATURE BOX P.W. BOARD ASS'Y (VE-30013755)**

Refer to PARTS LIST in page 29 for this P.W. board.

**CRT SOCKET P.W. BOARD ASS'Y (VE-30017303)**

Refer to PARTS LIST in page 30 for this P.W. board.

**FRONT CONTROL P.W. BOARD ASS'Y (VE-30017014)**

Refer to PARTS LIST in page 31 for this P.W. board.

**FRONT AV + HEADPHONE JACK P.W. BOARD ASS'Y (VE-30016761)**

Refer to PARTS LIST in page 31 for this P.W. board.

## PRINTED WIRING BOARD PARTS LIST

[ AV28BH7EES / AV28BH7EEB ]

## MAIN P.W. BOARD ASS'Y (VE-20084594)

| △ Symbol No.    | Part No.    | Part Name | Description   |
|-----------------|-------------|-----------|---------------|
| <b>RESISTOR</b> |             |           |               |
| R101            | VE-30000668 | SMD RES.  | 1/10W 33K J   |
| R102            | VE-30007782 | MF RES.   | 1/4W 3.9M F   |
| R103            | VE-30000855 | MF RES.   | 1/4W 1M F     |
| R104            | VE-30000668 | SMD RES.  | 1/10W 33K J   |
| R105            | VE-30000452 | CF RES.   | 1/4W 10R J    |
| R106            | VE-30000664 | SMD RES.  | 1/10W 3.3K J  |
| R107            | VE-30007019 | SMD RES.  | 1/10W 10K F   |
| R108            | VE-30007784 | MO RES.   | 5W 33K J      |
| R109            | VE-30001270 | PTC       | 9 OHM         |
| R116            | VE-30001171 | MO RES.   | 2W 4.7K J     |
| R117            | VE-30001257 | MG RES.   | 1/2W 4.7M J   |
| R118            | VE-30009036 | FUSE RES. | 1/2W 0.1R J   |
| R119            | VE-30009036 | FUSE RES. | 1/2W 0.1R J   |
| R120            | VE-30000814 | SMD RES.  | 1/10W 820R J  |
| R122            | VE-30000469 | SMD RES.  | 1/10W 1K J    |
| R123            | VE-30000469 | SMD RES.  | 1/10W 1K J    |
| R124            | VE-30000480 | SMD RES.  | 1/10W 100K J  |
| R125            | VE-30000927 | MO RES.   | 1/4W 220K J   |
| R126            | VE-30000664 | SMD RES.  | 1/10W 3.3K J  |
| R127            | VE-30000469 | SMD RES.  | 1/10W 1K J    |
| R128            | VE-30000536 | CF RES.   | 1/4W 150K J   |
| R129            | VE-30007019 | SMD RES.  | 1/10W 10K F   |
| R130            | VE-30000721 | SMD RES.  | 1/10W 4.7K J  |
| R134            | VE-30000469 | SMD RES.  | 1/10W 1K J    |
| R135            | VE-30007790 | SMD RES.  | 1/10W 4.3K F  |
| R136            | VE-30000774 | SMD RES.  | 1/10W 680R J  |
| R137            | VE-30007021 | SMD RES.  | 1/10W 1K F    |
| R138            | VE-30007786 | SMD RES.  | 1/10W 2.55K F |
| R139            | VE-30000774 | SMD RES.  | 1/10W 680R J  |
| R140            | VE-30000459 | CF RES.   | 1/4W 100R J   |
| R141            | VE-30000475 | SMD RES.  | 1/10W 10K J   |
| R142            | VE-30000475 | SMD RES.  | 1/10W 10K J   |
| R143            | VE-30007021 | SMD RES.  | 1/10W 1K F    |
| R144            | VE-30007788 | SMD RES.  | 1/10W 2.7K F  |
| R145            | VE-30000732 | SMD RES.  | 1/10W 470K J  |
| R146            | VE-30000469 | SMD RES.  | 1/10W 1K J    |
| R148            | VE-30014023 | FUSE RES. | 1/2W 0.1R J   |
| R149            | VE-30007204 | MF RES.   | 1/2W 1.5M F   |
| R150            | VE-30007783 | FUSE RES. | 1/4W 2.2R J   |
| R151            | VE-30014023 | FUSE RES. | 1/2W 0.1R J   |
| R152            | VE-30000659 | SMD RES.  | 1/10W 330R J  |
| R153            | VE-30012649 | SMD RES.  | 1/10W 150R J  |
| R154            | VE-30012984 | SMD RES.  | 1/10W 91R J   |
| R155            | VE-30000712 | CF RES.   | 1/4W 470R J   |
| R156            | VE-30001089 | MO RES.   | 2W 1R J       |
| R157            | VE-30000534 | SMD RES.  | 1/10W 15K J   |
| R158            | VE-30000475 | SMD RES.  | 1/10W 10K J   |
| R159            | VE-30000480 | SMD RES.  | 1/10W 100K J  |
| R160            | VE-30006923 | SMD RES.  | 1/10W 4.3K J  |
| R202            | VE-30007779 | MO RES.   | 5W 47R J      |
| R203            | VE-30000534 | SMD RES.  | 1/10W 15K J   |
| R205            | VE-30001004 | MF RES.   | 1/2W 0.56R J  |
| R206            | VE-30001079 | MO RES.   | 1W 100R J     |
| R210            | VE-30000583 | CF RES.   | 1/4W 220R J   |
| R211            | VE-30000721 | SMD RES.  | 1/10W 4.7K J  |
| R212            | VE-30000593 | SMD RES.  | 1/10W 2.2K J  |
| R213            | VE-30000593 | SMD RES.  | 1/10W 2.2K J  |
| R214            | VE-30000593 | SMD RES.  | 1/10W 2.2K J  |
| R215            | VE-30000721 | SMD RES.  | 1/10W 4.7K J  |
| R216            | VE-30000631 | SMD RES.  | 1/10W 2.7K J  |
| R217            | VE-30000593 | SMD RES.  | 1/10W 2.2K J  |
| R218            | VE-30000480 | SMD RES.  | 1/10W 100K J  |
| R220            | VE-30000590 | CF RES.   | 1/4W 2.2K J   |
| R225            | VE-30001086 | MO RES.   | 2W 10K J      |
| R226            | VE-30001168 | MO RES.   | 2W 470R J     |
| R227            | VE-30000469 | SMD RES.  | 1/10W 1K J    |
| R228            | VE-30000475 | SMD RES.  | 1/10W 10K J   |
| R229            | VE-30000727 | SMD RES.  | 1/10W 47K J   |
| R230            | VE-30000902 | MF RES.   | 1/4W 1.8K F   |
| R231            | VE-30001229 | FUSE RES. | 1W 2.2R J     |
| R232            | VE-30000477 | CF RES.   | 1/4W 100K J   |
| R233            | VE-30001244 | FUSE RES. | 0.47R 1/2W J  |
| R234            | VE-30009036 | FUSE RES. | 1/2W 0.1R J   |
| R235            | VE-30000668 | SMD RES.  | 1/10W 33K J   |
| R236            | VE-30000718 | CF RES.   | 1/4W 4.7K J   |
| R237            | VE-30001244 | FUSE RES. | 0.47R 1/2W J  |
| R238            | VE-30000729 | CF RES.   | 1/4W 470K J   |
| R239            | VE-30001089 | MO RES.   | 2W 1R J       |
| R240            | VE-30000469 | SMD RES.  | 1/10W 1K J    |
| R241            | VE-30000818 | SMD RES.  | 1/10W 8.2K J  |

| △ Symbol No.    | Part No.    | Part Name | Description  |
|-----------------|-------------|-----------|--------------|
| <b>RESISTOR</b> |             |           |              |
| R242            | VE-30000784 | CF RES.   | 1/4W 680K J  |
| R245            | VE-30000466 | CF RES.   | 1/4W 1K J    |
| R246            | VE-30000752 | CF RES.   | 1/4W 56K J   |
| R250            | VE-30000477 | CF RES.   | 1/4W 100K J  |
| R251            | VE-30000477 | CF RES.   | 1/4W 100K J  |
| R252            | VE-30007789 | SMD RES.  | 1/10W 27K F  |
| R254            | VE-30000636 | SMD RES.  | 1/10W 27K J  |
| R255            | VE-30001134 | MO RES.   | 2W 2.2R J    |
| R256            | VE-30001100 | MO RES.   | 1W 150R J    |
| R257            | VE-30001173 | MO RES.   | 1W 0.47R J   |
| R260            | VE-30000778 | SMD RES.  | 1/10W 6.8K J |
| R261            | VE-30000778 | SMD RES.  | 1/10W 6.8K J |
| R262            | VE-30001237 | FUSE RES. | 1/2W 3.3R J  |
| R264            | VE-30001077 | MO RES.   | 2W 10R J     |
| R270            | VE-30000541 | CF RES.   | 1/4W 1.5M J  |
| R271            | VE-30000744 | CF RES.   | 1/4W 560R J  |
| R272            | VE-30000475 | SMD RES.  | 1/10W 10K J  |
| R280            | VE-30000480 | SMD RES.  | 1/10W 100K J |
| R281            | VE-30000480 | SMD RES.  | 1/10W 100K J |
| R318            | VE-30000469 | SMD RES.  | 1/10W 1K J   |
| R322            | VE-30000594 | CF RES.   | 1/4W 22K J   |
| R323            | VE-30000459 | CF RES.   | 1/4W 100R J  |
| R324            | VE-30000464 | SMD RES.  | 1/10W 100R J |
| R327            | VE-30000464 | SMD RES.  | 1/10W 100R J |
| R360            | VE-30000659 | SMD RES.  | 1/10W 330R J |
| R361            | VE-30000659 | SMD RES.  | 1/10W 330R J |
| R362            | VE-30000659 | SMD RES.  | 1/10W 330R J |
| R363            | VE-30000659 | SMD RES.  | 1/10W 330R J |
| R364            | VE-30000659 | SMD RES.  | 1/10W 330R J |
| R365            | VE-30000659 | SMD RES.  | 1/10W 330R J |
| R366            | VE-30000659 | SMD RES.  | 1/10W 330R J |
| R367            | VE-30000659 | SMD RES.  | 1/10W 330R J |
| R368            | VE-30000659 | SMD RES.  | 1/10W 330R J |
| R369            | VE-30000659 | SMD RES.  | 1/10W 330R J |
| R370            | VE-30000659 | SMD RES.  | 1/10W 330R J |
| R371            | VE-30000659 | SMD RES.  | 1/10W 330R J |
| R372            | VE-30000659 | SMD RES.  | 1/10W 330R J |
| R373            | VE-30000659 | SMD RES.  | 1/10W 330R J |
| R374            | VE-30000659 | SMD RES.  | 1/10W 330R J |
| R375            | VE-30000659 | SMD RES.  | 1/10W 330R J |
| R376            | VE-30000659 | SMD RES.  | 1/10W 330R J |
| R378            | VE-30000659 | SMD RES.  | 1/10W 330R J |
| R379            | VE-30000659 | SMD RES.  | 1/10W 330R J |
| R380            | VE-30000659 | SMD RES.  | 1/10W 330R J |
| R381            | VE-30000659 | SMD RES.  | 1/10W 330R J |
| R382            | VE-30000659 | SMD RES.  | 1/10W 330R J |
| R383            | VE-30000659 | SMD RES.  | 1/10W 330R J |
| R384            | VE-30000659 | SMD RES.  | 1/10W 330R J |
| R385            | VE-30000659 | SMD RES.  | 1/10W 330R J |
| R397            | VE-30000659 | SMD RES.  | 1/10W 330R J |
| R398            | VE-30000659 | SMD RES.  | 1/10W 330R J |
| R411            | VE-30000747 | SMD RES.  | 1/10W 560R J |
| R412            | VE-30000721 | SMD RES.  | 1/10W 4.7K J |
| R413            | VE-30000475 | SMD RES.  | 1/10W 10K J  |
| R414            | VE-30000469 | SMD RES.  | 1/10W 1K J   |
| R415            | VE-30000517 | SMD RES.  | 1/10W 15R J  |
| R416            | VE-30000717 | SMD RES.  | 1/10W 470R J |
| R421            | VE-30000563 | SMD RES.  | 1/10W 1.8K J |
| R422            | VE-30000464 | SMD RES.  | 1/10W 100R J |
| R424            | VE-30007021 | SMD RES.  | 1/10W 1K F   |
| R425            | VE-30000797 | SMD RES.  | 1/10W 75R J  |
| R428            | VE-30000475 | SMD RES.  | 1/10W 10K J  |
| R429            | VE-30000475 | SMD RES.  | 1/10W 10K J  |
| R436            | VE-30000735 | SMD RES.  | 1/10W 4.7R J |
| R440            | VE-30000614 | SMD RES.  | 1/10W 2.4K J |
| R441            | VE-30000475 | SMD RES.  | 1/10W 10K J  |
| R445            | VE-30000814 | SMD RES.  | 1/10W 820R J |
| R475            | VE-30000524 | SMD RES.  | 1/10W 150R J |
| R480            | VE-30000718 | CF RES.   | 1/4W 4.7K J  |
| R490            | VE-30000466 | CF RES.   | 1/4W 1K J    |
| R492            | VE-30000503 | SMD RES.  | 1/10W 12K J  |
| R506            | VE-30012695 | SMD RES.  | 1/10W 470R J |
| R509            | VE-30000797 | SMD RES.  | 1/10W 75R J  |
| R510            | VE-30007021 | SMD RES.  | 1/10W 1K F   |
| R511            | VE-30000464 | SMD RES.  | 1/10W 100R J |
| R512            | VE-30000464 | SMD RES.  | 1/10W 100R J |
| R513            | VE-30000457 | SMD RES.  | 1/10W 10R J  |
| R518            | VE-30000735 | SMD RES.  | 1/10W 4.7R J |
| R801            | VE-30000718 | CF RES.   | 1/4W 4.7K J  |
| R802            | VE-30000718 | CF RES.   | 1/4W 4.7K J  |



## [ AV28BH7EES / AV28BH7EEB ]

| Symbol No.      | Part No.    | Part Name | Description  |
|-----------------|-------------|-----------|--------------|
| <b>RESISTOR</b> |             |           |              |
| R803            | VE-30000628 | CF RES.   | 1/4W 2.7K J  |
| R804            | VE-30000475 | SMD RES.  | 1/10W 10K J  |
| R805            | VE-30000534 | SMD RES.  | 1/10W 15K J  |
| R806            | VE-30000531 | CF RES.   | 1/4W 15K J   |
| R807            | VE-30000567 | SMD RES.  | 1/10W 18K J  |
| R808            | VE-30000734 | CF RES.   | 1/4W 4.7R J  |
| R809            | VE-30000717 | SMD RES.  | 1/10W 470R J |
| R810            | VE-30000564 | CF RES.   | 1/4W 18K J   |
| R811            | VE-30000717 | SMD RES.  | 1/10W 470R J |
| R812            | VE-30000734 | CF RES.   | 1/4W 4.7R J  |
| R813            | VE-30000475 | SMD RES.  | 1/10W 10K J  |
| R819            | VE-30000734 | CF RES.   | 1/4W 4.7R J  |
| R820            | VE-30000734 | CF RES.   | 1/4W 4.7R J  |
| R900            | VE-30012641 | SMD RES.  | 1/16W 10K J  |
| R901            | VE-30012641 | SMD RES.  | 1/16W 10K J  |
| R902            | VE-30012641 | SMD RES.  | 1/16W 10K J  |
| R903            | VE-30000718 | CF RES.   | 1/4W 4.7K J  |
| R904            | VE-30000718 | CF RES.   | 1/4W 4.7K J  |
| R905            | VE-30000723 | CF RES.   | 1/4W 47K J   |
| R906            | VE-30012696 | SMD RES.  | 1/16W 47K J  |
| R907            | VE-30012679 | SMD RES.  | 1/16W 3.9K J |
| R908            | VE-30012679 | SMD RES.  | 1/16W 3.9K J |
| R909            | VE-30000531 | CF RES.   | 1/4W 15K J   |
| R910            | VE-30000531 | CF RES.   | 1/4W 15K J   |
| R911            | VE-30012641 | SMD RES.  | 1/16W 10K J  |
| R912            | VE-30000471 | CF RES.   | 1/4W 10K J   |
| R913            | VE-30012641 | SMD RES.  | 1/16W 10K J  |
| R914            | VE-30000471 | CF RES.   | 1/4W 10K J   |
| R915            | VE-30000471 | CF RES.   | 1/4W 10K J   |
| R916            | VE-30012695 | SMD RES.  | 1/16W 470R J |
| R917            | VE-30012987 | SMD RES.  | 1/16W 56R J  |
| R918            | VE-30012692 | SMD RES.  | 1/16W 4.7K J |
| R919            | VE-30012657 | SMD RES.  | 1/16W 1K J   |
| R920            | VE-30012657 | SMD RES.  | 1/16W 1K J   |
| R921            | VE-30012657 | SMD RES.  | 1/16W 1K J   |
| R922            | VE-30012657 | SMD RES.  | 1/16W 1K J   |
| R923            | VE-30012657 | SMD RES.  | 1/16W 1K J   |
| R924            | VE-30012696 | SMD RES.  | 1/16W 47K J  |
| R925            | VE-30012696 | SMD RES.  | 1/16W 47K J  |
| R926            | VE-30012696 | SMD RES.  | 1/16W 47K J  |
| R927            | VE-30012696 | SMD RES.  | 1/16W 47K J  |
| R928            | VE-30012510 | SMD RES.  | 1/16W 100R J |
| R929            | VE-30012510 | SMD RES.  | 1/16W 100R J |
| R930            | VE-30012641 | SMD RES.  | 1/16W 10K J  |
| R931            | VE-30012641 | SMD RES.  | 1/16W 10K J  |
| R932            | VE-30012641 | SMD RES.  | 1/16W 10K J  |
| R933            | VE-30000718 | CF RES.   | 1/4W 4.7K J  |
| R934            | VE-30012692 | SMD RES.  | 1/16W 4.7K J |
| R935            | VE-30012662 | SMD RES.  | 1/16W 2.7K J |
| R936            | VE-30000718 | CF RES.   | 1/4W 4.7K J  |
| R937            | VE-30000459 | CF RES.   | 1/4W 100R J  |
| R938            | VE-30012509 | SMD RES.  | 1/16W 100K J |
| R939            | VE-30012692 | SMD RES.  | 1/16W 4.7K J |
| R940            | VE-30000500 | CF RES.   | 1/4W 12K J   |
| R941            | VE-30000588 | SMD RES.  | 1/10W 220R J |
| R942            | VE-30000588 | SMD RES.  | 1/10W 220R J |
| R943            | VE-30000471 | CF RES.   | 1/4W 10K J   |
| R944            | VE-30012641 | SMD RES.  | 1/16W 10K J  |
| R945            | VE-30000471 | CF RES.   | 1/4W 10K J   |
| R946            | VE-30012657 | SMD RES.  | 1/16W 1K J   |
| R950            | VE-30012657 | SMD RES.  | 1/16W 1K J   |
| R951            | VE-30012657 | SMD RES.  | 1/16W 1K J   |
| R952            | VE-30012657 | SMD RES.  | 1/16W 1K J   |
| R953            | VE-30000466 | CF RES.   | 1/4W 1K J    |
| R955            | VE-30012657 | SMD RES.  | 1/16W 1K J   |
| R956            | VE-30012510 | SMD RES.  | 1/16W 100R J |
| R957            | VE-30012655 | SMD RES.  | 1/16W 180R J |
| R958            | VE-30014022 | SMD RES.  | 1/16W 47R J  |
| R959            | VE-30000466 | CF RES.   | 1/4W 1K J    |
| R960            | VE-30000471 | CF RES.   | 1/4W 10K J   |
| R961            | VE-30000718 | CF RES.   | 1/4W 4.7K J  |
| R964            | VE-30012641 | SMD RES.  | 1/16W 10K J  |
| R965            | VE-30012657 | SMD RES.  | 1/16W 1K J   |
| R966            | VE-30012641 | SMD RES.  | 1/16W 10K J  |

**CAPACITOR**

|      |             |          |             |
|------|-------------|----------|-------------|
| C100 | VE-30000098 | MKT CAP. | 3.3NF 63V J |
| C101 | VE-30000371 | EL CAP.  | 22UF 50V M  |
| C102 | VE-30000294 | SMD CAP. | 100NF 50V K |
| C103 | VE-30000294 | SMD CAP. | 100NF 50V K |
| C104 | VE-30012323 | MKT CAP. | 1NF 100V J  |
| C105 | VE-30000284 | SMD CAP. | 1NF 50V K R |

| Symbol No.       | Part No.    | Part Name | Description      |
|------------------|-------------|-----------|------------------|
| <b>CAPACITOR</b> |             |           |                  |
| C106             | VE-30000332 | SMD CAP.  | 4.7NF 50V K      |
| C107             | VE-30000263 | SMD CAP.  | 56PF 50V J GH    |
| C108             | VE-30000123 | PP CAP.   | 33NF 630V K      |
| C109             | VE-30000159 | MKT CAP.  | 4.7NF 1.6KV J    |
| C110             | VE-30009208 | C CAP.    | 470PF 1KV K      |
| C111             | VE-30000131 | MKT CAP.  | 100NF 250V J     |
| △ C112           | VE-30000094 | MKT CAP.  | 220NF AC275V M   |
| C114             | VE-30000353 | EL CAP.   | 100UF 25V M      |
| △ C115           | VE-30007858 | MKT CAP.  | 470NF AC275V M   |
| △ C118           | VE-30007755 | MKT CAP.  | 680NF AC275V M   |
| C119             | VE-30007754 | MKT CAP.  | 1UF 400V         |
| C120             | VE-30007753 | MKT CAP.  | 1NF 1KV          |
| C121             | VE-30013690 | EL CAP.   | 220UF 450V M     |
| △ C122           | VE-30000447 | C CAP.    | 4.7NF 4KV M E    |
| C124             | VE-30000315 | SMD CAP.  | 220NF 25V Z      |
| C125             | VE-30000315 | SMD CAP.  | 220NF 25V Z      |
| C130             | VE-30007708 | C CAP.    | 1NF 1KV K        |
| C131             | VE-30006909 | EL CAP.   | 100UF M 250V     |
| C132             | VE-30007750 | EL CAP.   | 470UF 35V        |
| C133             | VE-30000409 | EL CAP.   | 470UF 25V M      |
| C134             | VE-30007750 | EL CAP.   | 470UF 35V        |
| C135             | VE-30007748 | EL CAP.   | 1000UF 35V M     |
| C136             | VE-30007748 | EL CAP.   | 1000UF 35V M     |
| C137             | VE-30000284 | SMD CAP.  | 1NF 50V K R      |
| C138             | VE-30000224 | SMD CAP.  | 220PF 50V J      |
| C139             | VE-30000284 | SMD CAP.  | 1NF 50V K R      |
| C140             | VE-30000360 | EL CAP.   | 1000UF 25V M     |
| C141             | VE-30000352 | EL CAP.   | 100UF 16V M      |
| C142             | VE-30000294 | SMD CAP.  | 100NF 50V K      |
| C143             | VE-30000294 | SMD CAP.  | 100NF 50V K      |
| C144             | VE-30000352 | EL CAP.   | 100UF 16V M      |
| C145             | VE-30000309 | SMD CAP.  | 2.2NF 50V K R    |
| C146             | VE-30000359 | EL CAP.   | 1000UF 16V M     |
| C147             | VE-30000359 | EL CAP.   | 1000UF 16V M     |
| C148             | VE-30000294 | SMD CAP.  | 100NF 50V K      |
| C149             | VE-30000294 | SMD CAP.  | 100NF 50V K      |
| C150             | VE-30000352 | EL CAP.   | 100UF 16V M      |
| C151             | VE-30000284 | SMD CAP.  | 1NF 50V K R      |
| C160             | VE-30007081 | EL CAP.   | 4.7UF 50V M      |
| C161             | VE-30007308 | C CAP.    | 220PF 1KV K      |
| C162             | VE-30007308 | C CAP.    | 220PF 1KV K      |
| C163             | VE-30009208 | C CAP.    | 470PF 1KV K      |
| C165             | VE-30016654 | SMD CAP.  | 100NF 16V K R    |
| C166             | VE-30000400 | EL CAP.   | 47UF 50V M       |
| C167             | VE-30009208 | C CAP.    | 470PF 1KV K      |
| C168             | VE-30000294 | SMD CAP.  | 100NF 50V K      |
| C170             | VE-30000352 | EL CAP.   | 100UF 16V M      |
| C171             | VE-30000352 | EL CAP.   | 100UF 16V M      |
| C172             | VE-30016654 | SMD CAP.  | 100NF 16V K R    |
| C173             | VE-30000315 | SMD CAP.  | 220NF 25V Z      |
| C201             | VE-30000360 | EL CAP.   | 1000UF 25V M     |
| C202             | VE-30000106 | MKT CAP.  | 47NF 100V J      |
| C203             | VE-30000099 | MKT CAP.  | 33NF 63V J       |
| C204             | VE-30000345 | EL CAP.   | 10UF 50V M       |
| C206             | VE-30000315 | SMD CAP.  | 220NF 25V Z      |
| C207             | VE-30000362 | EL CAP.   | 1UF 50V M        |
| C208             | VE-30000415 | EL CAP.   | 4.7UF 250V M     |
| C209             | VE-30000224 | SMD CAP.  | 220PF 50V J      |
| C210             | VE-30000149 | MKT CAP.  | 2.7NF 2KV 3.5%   |
| C211             | VE-30000179 | MKT CAP.  | 9.1NF 1600V 3.5% |
| C212             | VE-30000137 | MKT CAP.  | 15NF 630V J      |
| C213             | VE-30007215 | MKT CAP.  | 1.2UF 250V J     |
| C214             | VE-30000415 | EL CAP.   | 4.7UF 250V M     |
| C215             | VE-30000166 | MKT CAP.  | 560NF 250V J     |
| C216             | VE-30000415 | EL CAP.   | 4.7UF 250V M     |
| C222             | VE-30000431 | C CAP.    | 100PF 1KV M      |
| C223             | VE-30000351 | EL CAP.   | 10UF 350V M      |
| C225             | VE-30000359 | EL CAP.   | 1000UF 16V M     |
| C226             | VE-30000356 | EL CAP.   | 1000UF 63V M     |
| C228             | VE-30000360 | EL CAP.   | 1000UF 25V M     |
| C232             | VE-30000225 | C CAP.    | 220PF 50V J SL   |
| C240             | VE-30000400 | EL CAP.   | 47UF 50V M       |
| C250             | VE-30000304 | SMD CAP.  | 1.8NF 50V K R    |
| C251             | VE-30000359 | EL CAP.   | 1000UF 16V M     |
| C252             | VE-30000289 | SMD CAP.  | 100NF 50V K R    |
| C253             | VE-30000294 | SMD CAP.  | 100NF 50V K      |
| C254             | VE-30000360 | EL CAP.   | 1000UF 25V M     |
| C255             | VE-30000294 | SMD CAP.  | 100NF 50V K      |
| C256             | VE-30000092 | MKT CAP.  | 220NF 63V J      |
| C257             | VE-30000304 | SMD CAP.  | 1.8NF 50V K R    |
| C258             | VE-30000322 | SMD CAP.  | 3.3NF 50V K      |
| C305             | VE-30000294 | SMD CAP.  | 100NF 50V K      |
| C313             | VE-30000189 | SMD CAP.  | 100PF 50V J      |
| C321             | VE-30000352 | EL CAP.   | 100UF 16V M      |

[ AV28BH7EES / AV28BH7EEB ]

| Symbol No.       | Part No.    | Part Name | Description    |
|------------------|-------------|-----------|----------------|
| <b>CAPACITOR</b> |             |           |                |
| C322             | VE-30000352 | EL CAP.   | 100UF 16V M    |
| C324             | VE-30000294 | SMD CAP.  | 100NF 50V K    |
| C333             | VE-30000294 | SMD CAP.  | 100NF 50V K    |
| C402             | VE-30000345 | EL CAP.   | 10UF 50V M     |
| C403             | VE-30000384 | EL CAP.   | 2.2UF 50V M    |
| C404             | VE-30000284 | SMD CAP.  | 1NF 50V K R    |
| C405             | VE-30000284 | SMD CAP.  | 1NF 50V K R    |
| C406             | VE-30000224 | SMD CAP.  | 220PF 50V J    |
| C407             | VE-30000312 | SMD CAP.  | 22NF 50V K     |
| C408             | VE-30000371 | EL CAP.   | 22UF 50V M     |
| C409             | VE-30000294 | SMD CAP.  | 100NF 50V K    |
| C410             | VE-30000294 | SMD CAP.  | 100NF 50V K    |
| C411             | VE-30000109 | MKT CAP.  | 470UF 63V J    |
| C412             | VE-30000384 | EL CAP.   | 2.2UF 50V M    |
| C413             | VE-30000294 | SMD CAP.  | 100NF 50V K    |
| C414             | VE-30000294 | SMD CAP.  | 100NF 50V K    |
| C417             | VE-30000294 | SMD CAP.  | 100NF 50V K    |
| C418             | VE-30000294 | SMD CAP.  | 100NF 50V K    |
| C419             | VE-30000294 | SMD CAP.  | 100NF 50V K    |
| C427             | VE-30000294 | SMD CAP.  | 100NF 50V K    |
| C428             | VE-30000294 | SMD CAP.  | 100NF 50V K    |
| C440             | VE-30000400 | EL CAP.   | 47UF 50V M     |
| C441             | VE-30000220 | SMD CAP.  | 22PF 50V J     |
| C442             | VE-30000294 | SMD CAP.  | 100NF 50V K    |
| C443             | VE-30013411 | SMD CAP.  | 180PF 50V J    |
| C450             | VE-30000345 | EL CAP.   | 10UF 50V M     |
| C451             | VE-30000294 | SMD CAP.  | 100NF 50V K    |
| C453             | VE-30000355 | EL CAP.   | 100UF 50V M    |
| C454             | VE-30000294 | SMD CAP.  | 100NF 50V K    |
| C455             | VE-30000345 | EL CAP.   | 10UF 50V M     |
| C456             | VE-30000352 | EL CAP.   | 100UF 16V M    |
| C457             | VE-30000294 | SMD CAP.  | 100NF 50V K    |
| C468             | VE-30000294 | SMD CAP.  | 100NF 50V K    |
| C478             | VE-30000294 | SMD CAP.  | 100NF 50V K    |
| C492             | VE-30000294 | SMD CAP.  | 100NF 50V K    |
| C497             | VE-30000294 | SMD CAP.  | 100NF 50V K    |
| C498             | VE-30000294 | SMD CAP.  | 100NF 50V K    |
| C499             | VE-30000362 | EL CAP.   | 1UF 50V M      |
| C500             | VE-30000352 | EL CAP.   | 100UF 16V M    |
| C505             | VE-30000294 | SMD CAP.  | 100NF 50V K    |
| C506             | VE-30000345 | EL CAP.   | 10UF 50V M     |
| C509             | VE-30000186 | SMD CAP.  | 10PF 50V D     |
| C510             | VE-30000186 | SMD CAP.  | 10PF 50V D     |
| C511             | VE-30000341 | SMD CAP.  | 68NF 50V K     |
| C610             | VE-30000074 | MKT CAP.  | 100NF 63V J    |
| C801             | VE-30000362 | EL CAP.   | 1UF 50V M      |
| C802             | VE-30000362 | EL CAP.   | 1UF 50V M      |
| C803             | VE-30000362 | EL CAP.   | 1UF 50V M      |
| C804             | VE-30000409 | EL CAP.   | 470UF 25V M    |
| C805             | VE-30000294 | SMD CAP.  | 100NF 50V K    |
| C806             | VE-30000409 | EL CAP.   | 470UF 25V M    |
| C807             | VE-30000294 | SMD CAP.  | 100NF 50V K    |
| C808             | VE-30000074 | MKT CAP.  | 100NF 63V J    |
| C809             | VE-30000074 | MKT CAP.  | 100NF 63V J    |
| C819             | VE-30000309 | SMD CAP.  | 2.2NF 50V K R  |
| C820             | VE-30000309 | SMD CAP.  | 2.2NF 50V K R  |
| C821             | VE-30000309 | SMD CAP.  | 2.2NF 50V K R  |
| C822             | VE-30000309 | SMD CAP.  | 2.2NF 50V K R  |
| C900             | VE-30000371 | EL CAP.   | 22UF 50V M     |
| C901             | VE-30016654 | SMD CAP.  | 100NF 16V K R  |
| C902             | VE-30016654 | SMD CAP.  | 100NF 16V K R  |
| C903             | VE-30016654 | SMD CAP.  | 100NF 16V K R  |
| C904             | VE-30000074 | MKT CAP.  | 100NF 63V J    |
| C905             | VE-30000371 | EL CAP.   | 22UF 50V M     |
| C906             | VE-30016654 | SMD CAP.  | 100NF 16V K R  |
| C907             | VE-30000074 | MKT CAP.  | 100NF 63V J    |
| C908             | VE-30016654 | SMD CAP.  | 100NF 16V K R  |
| C909             | VE-30016654 | SMD CAP.  | 100NF 16V K R  |
| C910             | VE-30016654 | SMD CAP.  | 100NF 16V K R  |
| C911             | VE-30000352 | EL CAP.   | 100UF 16V M    |
| C912             | VE-30012569 | SMD CAP.  | 33PF 50V J     |
| C913             | VE-30012569 | SMD CAP.  | 33PF 50V J     |
| C914             | VE-30000371 | EL CAP.   | 22UF 50V M     |
| C915             | VE-30016654 | SMD CAP.  | 100NF 16V K R  |
| C916             | VE-30016654 | SMD CAP.  | 100NF 16V K R  |
| C917             | VE-30016654 | SMD CAP.  | 100NF 16V K R  |
| C918             | VE-30016654 | SMD CAP.  | 100NF 16V K R  |
| C919             | VE-30000375 | EL CAP.   | 220UF 16V M    |
| C920             | VE-30000384 | EL CAP.   | 2.2UF 50V M    |
| C921             | VE-30016654 | SMD CAP.  | 100NF 16V K R  |
| C926             | VE-30016654 | SMD CAP.  | 100NF 16V K R  |
| C927             | VE-30016654 | SMD CAP.  | 100NF 16V K R  |
| C930             | VE-30000345 | EL CAP.   | 10UF 50V M     |
| C931             | VE-30000257 | C CAP.    | 470PF 50V J SL |

| Symbol No.       | Part No.    | Part Name              | Description    |
|------------------|-------------|------------------------|----------------|
| <b>CAPACITOR</b> |             |                        |                |
| C932             | VE-30016654 | SMD CAP.               | 100NF 16V K R  |
| C933             | VE-30000294 | SMD CAP.               | 100NF 50V K    |
| <b>TRANSF</b>    |             |                        |                |
| TR101            | VE-30016819 | SMPS TRF               |                |
| TR201            | VE-30006743 | TRF. HORIZONTAL DRIVER |                |
| TR202            | VE-30016922 | FBT TRF                |                |
| <b>COIL</b>      |             |                        |                |
| L101             | VE-30006712 | FERRITE BEAD           |                |
| L102             | VE-30007775 | PFC COIL               | 1MH 1KHZ 2A    |
| L103             | VE-30006744 | LINE FILTER            | 16MH           |
| L104             | VE-30006744 | LINE FILTER            | 16MH           |
| L106             | VE-30006712 | FERRITE BEAD           |                |
| L107             | VE-30001960 | FERIT BAR              |                |
| L108             | VE-30001960 | FERIT BAR              |                |
| L109             | VE-30001960 | FERIT BAR              |                |
| L201             | VE-30007771 | FIXED COIL             | 100UH          |
| L202             | VE-30007757 | COIL INJECTION EW      | 6MH            |
| L203             | VE-30007770 | FILTER COIL            | 1MH            |
| L204             | VE-30012271 | LINEARTY COIL          | 4.3UH VOGT     |
| L205             | VE-30007756 | BRIDGE COIL            | 150UH 32KHZ    |
| L206             | VE-30006712 | FERRITE BEAD           |                |
| L207             | VE-30006712 | FERRITE BEAD           |                |
| L304             | VE-30001992 | FIXED COIL             | 10UH Q65 K-A   |
| L401             | VE-30001986 | FIXED COIL             | 3.3UH Q65 K    |
| L403             | VE-30001979 | FIXED COIL             | 1UH Q45 M-A    |
| L405             | VE-30001987 | FIXED COIL             | 4.7UH Q70 K-A  |
| L420             | VE-30001996 | FIXED COIL             | 22UH Q40 K     |
| L421             | VE-30001992 | FIXED COIL             | 10UH Q65 K-A   |
| L422             | VE-30001994 | FIXED COIL             | 22UH J AXIAL   |
| L423             | VE-30001994 | FIXED COIL             | 22UH J AXIAL   |
| L425             | VE-30001971 | FERRITE BEAD           |                |
| L801             | VE-30002170 | COIL FTZ/RAD           |                |
| L802             | VE-30002170 | COIL FTZ/RAD           |                |
| L900             | VE-30001992 | FIXED COIL             | 10UH Q65 K-A   |
| L901             | VE-30001992 | FIXED COIL             | 1UH Q65 M-A    |
| L902             | VE-30001992 | FIXED COIL             | 10UH Q65 K-A   |
| L903             | VE-30001992 | FIXED COIL             | 10UH Q65 K-A   |
| L904             | VE-30001987 | FIXED COIL             | 4.7UH Q70 K-A  |
| L905             | VE-30001984 | FIXED COIL             | 2.2UH Q55 M-AX |
| L906             | VE-30002171 | CHOKE PEAKING COIL     | 22UH K         |
| <b>DIODE</b>     |             |                        |                |
| D101             | VE-30001285 | DIODE                  |                |
| D102             | VE-30001291 | DIODE                  |                |
| D103             | VE-30007768 | DIODE                  |                |
| D104             | VE-30007768 | DIODE                  |                |
| D105             | VE-30007768 | DIODE                  |                |
| D106             | VE-30007758 | BRIDGE DIODE           |                |
| D108             | VE-30001318 | DIODE                  |                |
| D109             | VE-30009699 | ZENER DIODE            |                |
| D110             | VE-20063054 | DIODE                  |                |
| D111             | VE-30001299 | DIODE                  |                |
| D112             | VE-30001302 | DIODE                  |                |
| D113             | VE-30001302 | DIODE                  |                |
| D114             | VE-30001302 | DIODE                  |                |
| D115             | VE-30001285 | DIODE                  |                |
| D116             | VE-30007760 | ZENER DIODE            |                |
| D117             | VE-30001285 | DIODE                  |                |
| D118             | VE-30007760 | ZENER DIODE            |                |
| D119             | VE-30001284 | DIODE                  |                |
| D120             | VE-30001291 | DIODE                  |                |
| D121             | VE-30001318 | DIODE                  |                |
| D122             | VE-30001318 | DIODE                  |                |
| D123             | VE-30001285 | DIODE                  |                |
| D126             | VE-30001284 | DIODE                  |                |
| D127             | VE-30001284 | DIODE                  |                |
| D128             | VE-30001284 | DIODE                  |                |
| D201             | VE-30001291 | DIODE                  |                |
| D202             | VE-30001285 | DIODE                  |                |
| D203             | VE-30007760 | ZENER DIODE            |                |
| D205             | VE-30007763 | ZENER DIODE            |                |
| D206             | VE-30007678 | DIODE GUC              |                |
| D207             | VE-30007768 | DIODE                  |                |
| D208             | VE-30001291 | DIODE                  |                |
| D209             | VE-30001291 | DIODE                  |                |
| D210             | VE-30001299 | DIODE                  |                |

## [ AV28BH7EES / AV28BH7EEB ]

| Symbol No.   | Part No.    | Part Name   | Description |
|--------------|-------------|-------------|-------------|
| <b>DIODE</b> |             |             |             |
| D211         | VE-30001299 | DIODE       |             |
| D212         | VE-30001291 | DIODE       |             |
| D213         | VE-30001291 | DIODE       |             |
| D214         | VE-30007763 | ZENER DIODE |             |
| D215         | VE-30007762 | ZENER DIODE |             |
| D216         | VE-30001285 | DIODE       |             |
| D218         | VE-30001291 | DIODE       |             |
| D219         | VE-30001291 | DIODE       |             |
| D220         | VE-30001284 | DIODE       |             |
| D221         | VE-30001284 | DIODE       |             |
| D222         | VE-30001284 | DIODE       |             |
| D223         | VE-30001285 | DIODE       |             |
| D224         | VE-30001285 | DIODE       |             |
| D225         | VE-30001318 | DIODE       |             |
| D403         | VE-30001285 | DIODE       |             |
| D900         | VE-30012412 | ZENER DIODE |             |
| D901         | VE-30007761 | ZENER DIODE |             |

**TRANSISTOR**

|      |             |    |
|------|-------------|----|
| Q101 | VE-30007801 | TR |
| Q103 | VE-30007802 | TR |
| Q104 | VE-30007798 | TR |
| Q105 | VE-30007798 | TR |
| Q106 | VE-30007802 | TR |
| Q107 | VE-30007798 | TR |
| Q108 | VE-30007798 | TR |
| Q109 | VE-30001457 | TR |
| Q110 | VE-30001457 | TR |
| Q112 | VE-30001454 | TR |
| Q113 | VE-30001428 | TR |
| Q201 | VE-30007802 | TR |
| Q202 | VE-30016686 | TR |
| Q203 | VE-30001458 | TR |
| Q204 | VE-30001458 | TR |
| Q205 | VE-30007799 | TR |
| Q206 | VE-30001457 | TR |
| Q207 | VE-30001457 | TR |
| Q208 | VE-30001455 | TR |
| Q403 | VE-30001457 | TR |
| Q408 | VE-30007800 | TR |
| Q415 | VE-30001457 | TR |
| Q801 | VE-30001457 | TR |
| Q802 | VE-30001457 | TR |
| Q900 | VE-30001458 | TR |
| Q901 | VE-30001457 | TR |
| Q902 | VE-30001457 | TR |
| Q903 | VE-30001457 | TR |
| Q904 | VE-30001457 | TR |
| Q905 | VE-30001457 | TR |
| Q906 | VE-30001457 | TR |
| Q907 | VE-30001457 | TR |
| Q908 | VE-30001457 | TR |
| Q909 | VE-30001458 | TR |
| Q910 | VE-30001457 | TR |
| Q911 | VE-30001457 | TR |

**IC**

|         |             |             |
|---------|-------------|-------------|
| △ IC101 | VE-30007442 | IC          |
| △ IC102 | VE-30015087 | IC          |
| IC103   | VE-30001506 | IC          |
| IC104   | VE-30007444 | IC          |
| IC105   | VE-30001500 | IC          |
| IC106   | VE-30001668 | IC          |
| IC201   | VE-30007793 | IC          |
| IC202   | VE-30001506 | IC          |
| IC302   | VE-30015382 | IC (MEMORY) |
| IC304   | VE-30016491 | IC          |
| IC401   | VE-30001495 | IC          |
| IC801   | VE-30007794 | IC          |
| IC802   | VE-30007794 | IC          |
| IC900   | VE-30013571 | IC (MYCOM)  |

| Symbol No.    | Part No.    | Part Name    | Description    |
|---------------|-------------|--------------|----------------|
| <b>OTHERS</b> |             |              |                |
| △ F101        | VE-20000849 | FUSE ASSY    | 3.15A          |
| △ F102        | VE-30009037 | FUSE         | 6.3A           |
| △ F103        | VE-30009037 | FUSE         | 6.3A           |
| RL2           | VE-30002183 | RELAY        |                |
| S133          | VE-30000575 | SMD RES.     | 1/10W 2K J     |
| T401          | VE-30001724 | SER FILTER   |                |
| T402          | VE-30001726 | SER FILTER   |                |
| TU401         | VE-30009637 | TUNER        |                |
| VL401         | VE-30002037 | ADJ COIL VIF |                |
| VR127         | VE-30001041 | ADJ RES.     | 0.15W 1K M VER |
| X900          | VE-30006662 | XTAL         |                |
| Z401          | VE-30001706 | SAW FILTER   |                |
| Z403          | VE-30001692 | SAW FILTER   |                |

**MULTISOUND P.W. BOARD ASS'Y  
(VE-30017302)**

Refer to PARTS LIST in page 27 for this P.W. board.

**FEATURE BOX P.W. BOARD ASS'Y (VE-30013755)**

Refer to PARTS LIST in page 29 for this P.W. board.

**CRT SOCKET P.W. BOARD ASS'Y (VE-30017303)**

Refer to PARTS LIST in page 30 for this P.W. board.

**FRONT CONTROL P.W. BOARD ASS'Y  
(VE-30017014)**

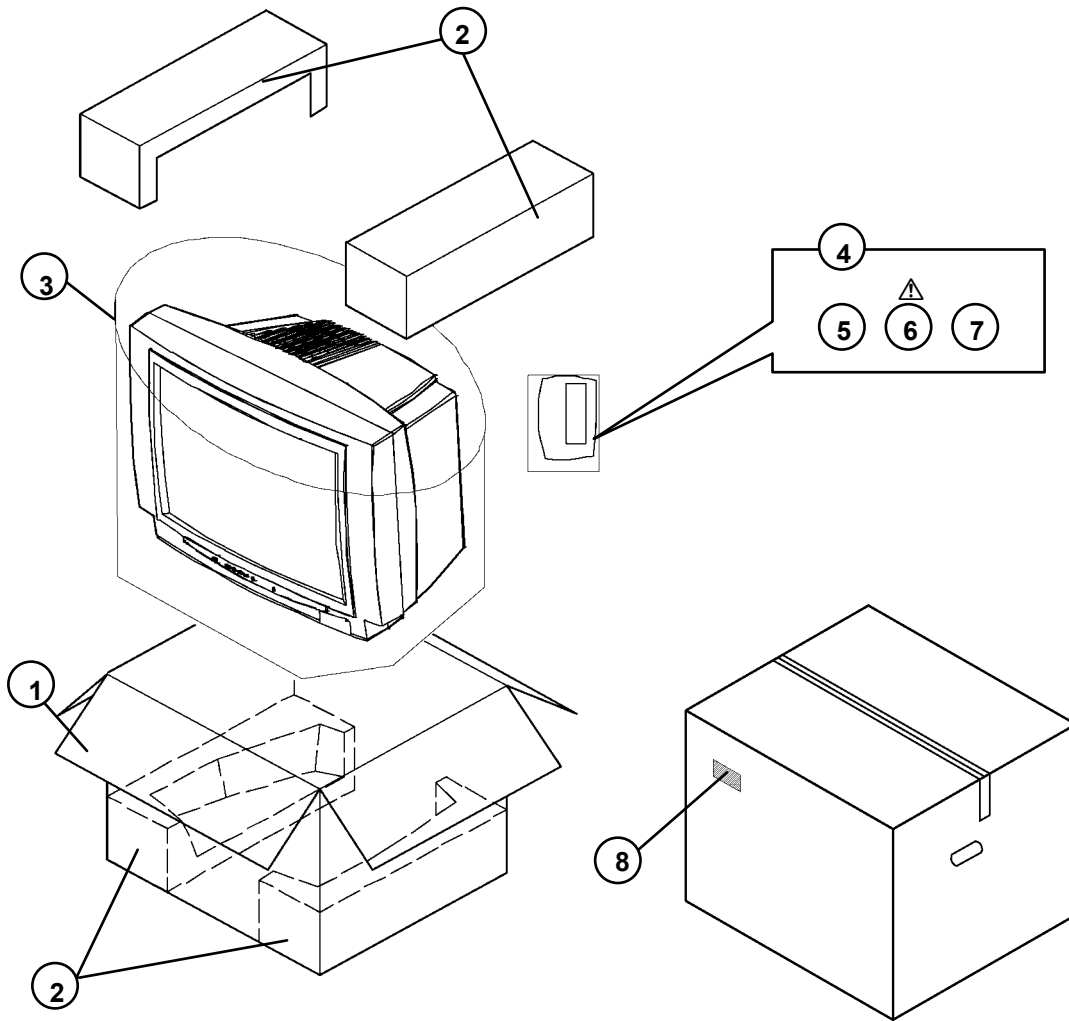
Refer to PARTS LIST in page 31 for this P.W. board.

**FRONT AV + HEADPHONE JACK P.W. BOARD  
ASS'Y (VE-30016761)**

Refer to PARTS LIST in page 31 for this P.W. board.

AV28BH7ENS / AV28BH7ENB  
 AV28BH7EPS / AV28BH7EPB  
 AV28BH7EES / AV28BH7EEB

## PACKING



## PACKING PARTS LIST

| △ Ref.No. | Part No.         | Part Name                    | Description      |
|-----------|------------------|------------------------------|------------------|
| 1         | VE-50023336      | F CARTON BOX                 | (AV28BH7ENS)     |
| 1         | VE-50023328      | F CARTON BOX                 | (AV28BH7ENB)     |
| 1         | VE-50023340      | F CARTON BOX                 | (AV28BH7EES)     |
| 1         | VE-50023334      | F CARTON BOX                 | (AV28BH7EEB)     |
| 1         | VE-50023338      | F CARTON BOX                 | (AV28BH7EPS)     |
| 1         | VE-50023331      | F CARTON BOX                 | (AV28BH7EPB)     |
| 2         | VE-20069214 / 15 | CUSHION ASS'Y                |                  |
| 3         | VE-50020732      | POLY BAG (1400*1000)         |                  |
| 4         | VE-70000587      | POLY BAG                     |                  |
| 5         | VE-30015781      | REMOTE CONTROL UNIT (RM-C85) |                  |
| △ 6       | VE-50023325      | INST BOOK                    | (AV28BH7ENS/ENB) |
| △ 6       | VE-50023332      | INST BOOK                    | (AV28BH7EES/EEB) |
| △ 6       | VE-50023329      | INST BOOK                    | (AV28BH7EPS/EPB) |
| 7         | BT-54013-2TK     | WARRANTY CARD                |                  |
| 8         | VE-20086449      | LABEL                        | (AV28BH7ENS)     |
| 8         | VE-20086440      | LABEL                        | (AV28BH7ENB)     |
| 8         | VE-20086455      | LABEL                        | (AV28BH7EES)     |
| 8         | VE-20086446      | LABEL                        | (AV28BH7EEB)     |
| 8         | VE-20086452      | LABEL                        | (AV28BH7EPS)     |
| 8         | VE-20086443      | LABEL                        | (AV28BH7EPB)     |

# JVC

VICTOR COMPANY OF JAPAN, LIMITED

HOME AV NETWORK BUSINESS UNIT 12, 3-chome, Moriya-cho, Kanagawa-ku, Yokohama, Kanagawa-prefecture, 221-8528, Japan